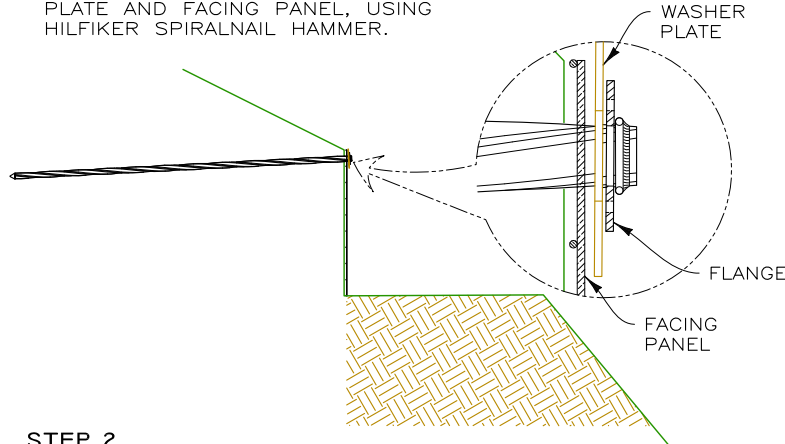
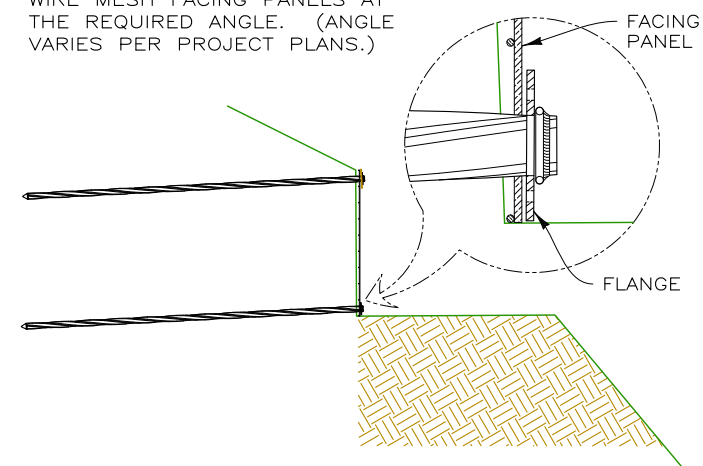


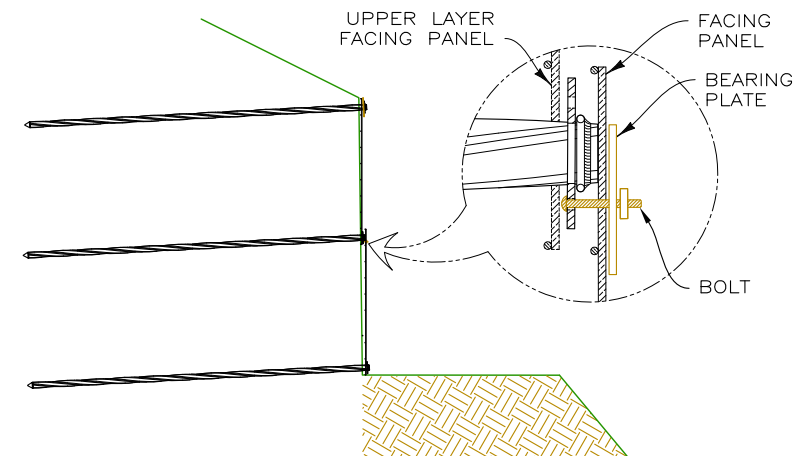
STEP 1
EXCAVATE DOWN 5' AND PLACE LAYER OF FACING PANELS. DRIVE FIRST LAYER OF SPIRALNAILS THROUGH WASHER PLATE AND FACING PANEL, USING HILFIKER SPIRALNAIL HAMMER.



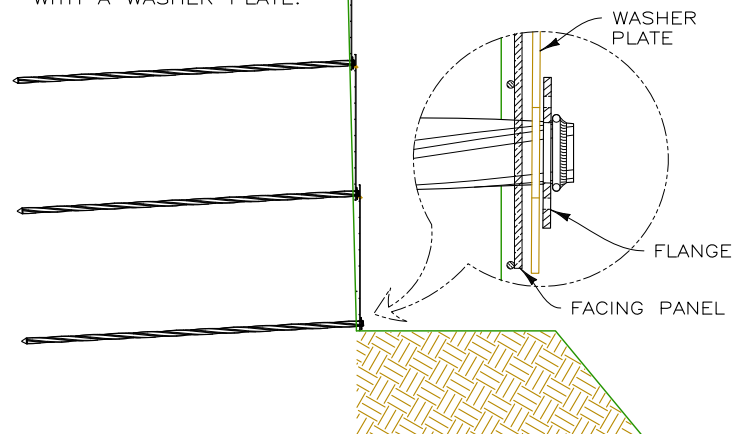
STEP 2
TO SECURE BOTTOM OF PANELS, DRIVE NEXT LAYER OF SPIRALNAILS THROUGH PREVIOUS LAYER OF WIRE MESH FACING PANELS AT THE REQUIRED ANGLE. (ANGLE VARIES PER PROJECT PLANS.)



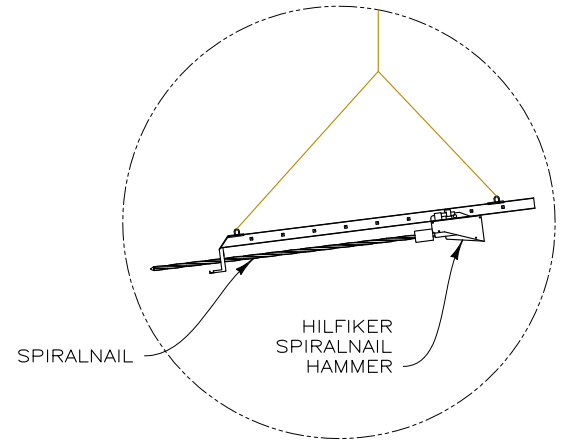
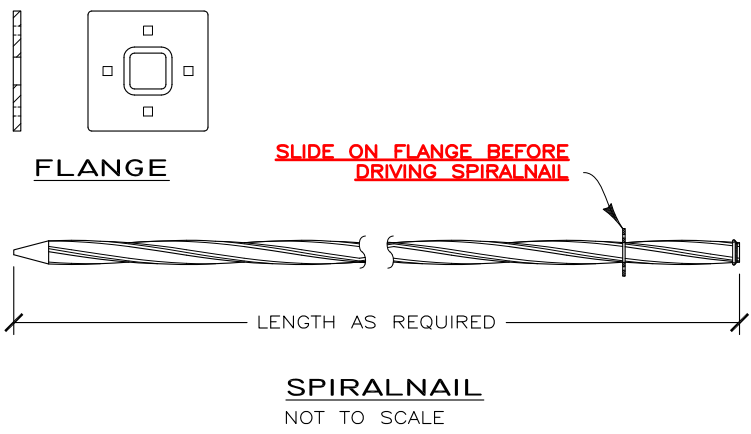
STEP 3
EXCAVATE DOWN AN ADDITIONAL 5' AND PLACE ANOTHER LAYER OF FACING PANELS. ATTACH TOP OF FACING PANELS TO PREVIOUS LAYER OF SPIRALNAIL HEADS WITH BOLTS AND A BEARING PLATE.



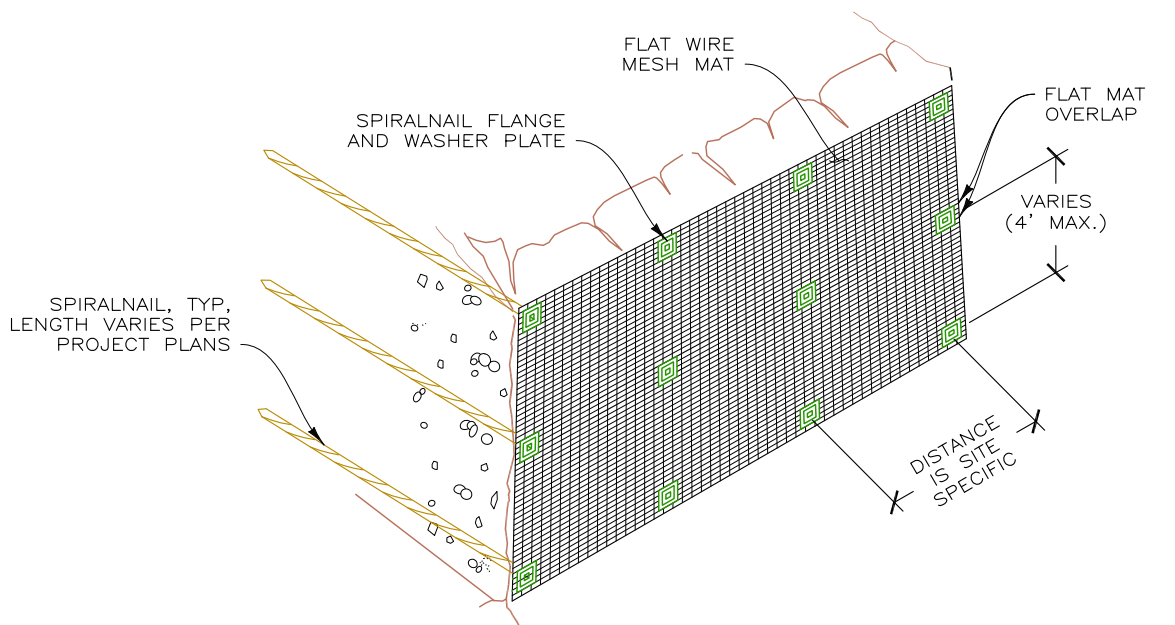
STEP 4
REPEAT STEP 3 TO BOTTOM OF WALL SECURING FINAL LAYER OF FACING PANELS WITH THE BOTTOM LAYER OF SPIRALNAILS WITH A WASHER PLATE.



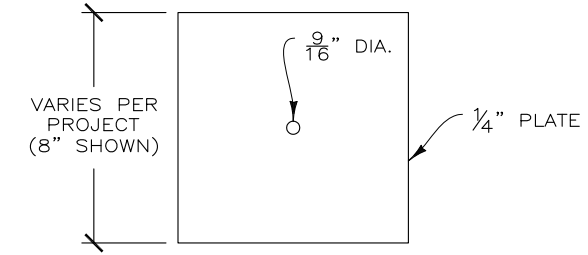
TOP DOWN SPIRALNAIL CONSTRUCTION SEQUENCE



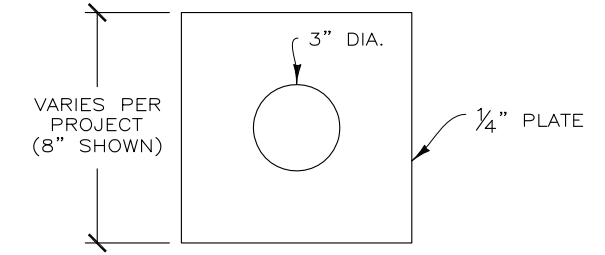
HILFIKER SPIRALNAIL HAMMER
NOT TO SCALE



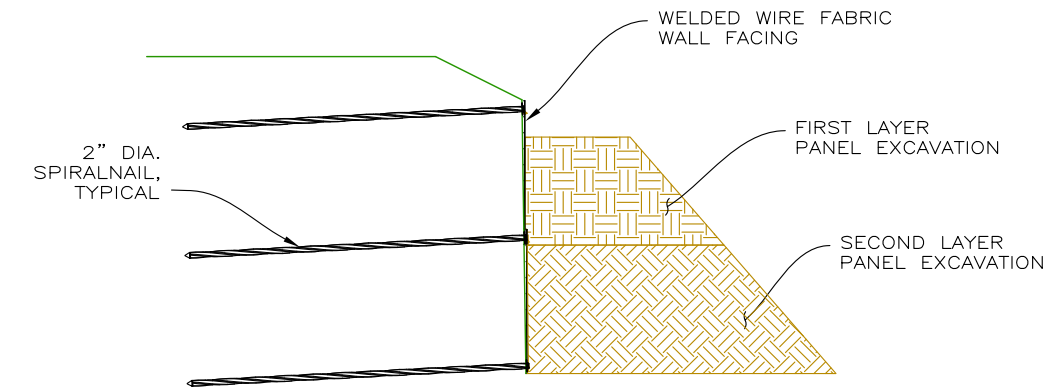
PICTORIAL ELEVATION
NOT TO SCALE



BEARING PLATE DETAIL
NOT TO SCALE



WASHER PLATE DETAIL
NOT TO SCALE

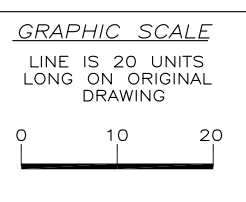


VERTICAL EXCAVATION DETAIL
SCALE: 3"=20'

SPIRALNAIL VERTICAL SN CONSTRUCTION

THIS DRAWING IS FURNISHED SOLELY FOR THE USE OF OR IN CONNECTION WITH THIS PROJECT AND THE PROPRIETARY INFORMATION SHOWN HEREON IS NOT TO BE TRANSMITTED TO ANY OTHER ORGANIZATION WITHOUT SPECIFIC AUTHORIZATION BY THE HILFIKER COMPANY. HILFIKER RETAINING WALLS ARE PROTECTED BY ONE OR MORE OF THE FOLLOWING PATENTS: 243,613; 243,697; 288,616; 4,117,686; 4,329,089; 4,324,508; 4,391,557; 4,505,621; 4,343,318; 4,661,023; 4,856,939; 4,929,125; 5,076,735; 5,647,695; 5,722,799; 5,733,072; 6,357,970B1; 6,874,975B2; 7,033,118B2; AND OTHERS. OTHER PATENTS PENDING (2008)

REV.NO.	DATE	BY	DESCRIPTION



PROJ.MGR.
HKH/BH
ENGINEER
CADD BY
HRW

HILFIKER RETAINING WALLS

1902 Hilfiker Lane
Eureka, CA 95503-5711
TOLL-FREE 800.762.8962
PH 707.443.5093 FAX 707.443.2891
WEBSITE www.hilfiker.com E-MAIL Info@hilfiker.com

SINCE 1902
QUALITY PRODUCTS

DWG DATE
12 OCT 21
REVISION DATE
SCALE
NOTED

STANDARD DRAWING	PROJECT NO. ---
VERTICAL SPIRALNAIL CONSTRUCTION	SHEET 1
CONSTRUCTION GUIDE AND DETAILS	OF 1