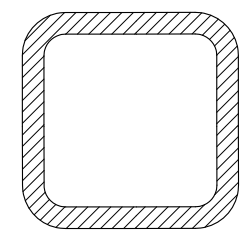
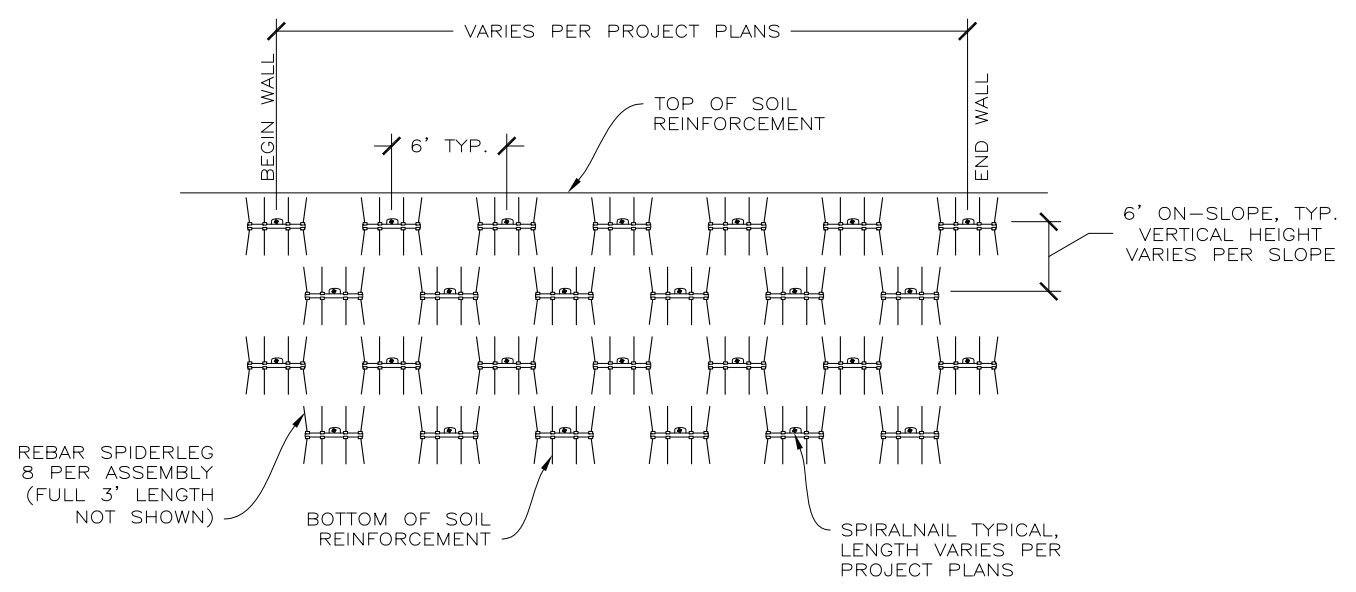


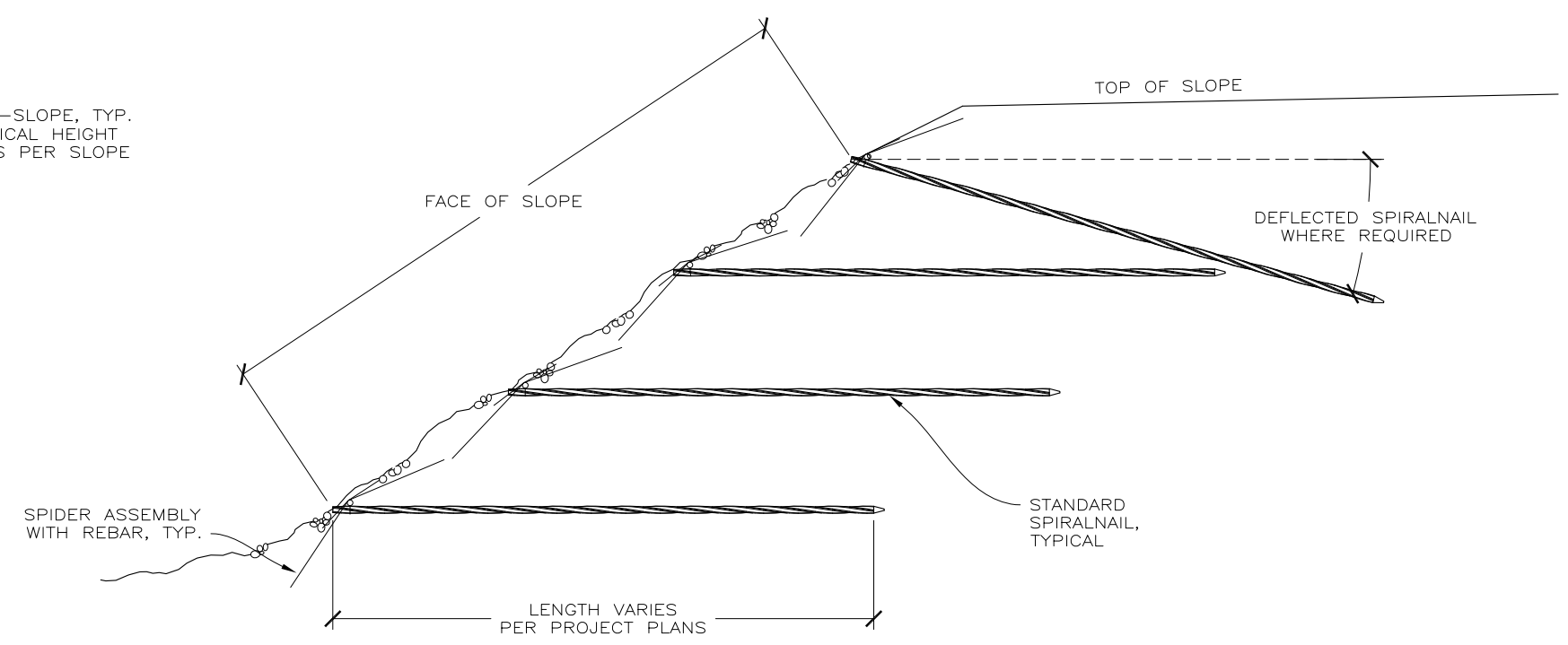
SPIRALNAIL
NOT TO SCALE



SECTION A
NOT TO SCALE



DEVELOPED ELEVATION
SCALE: 1" = 10'

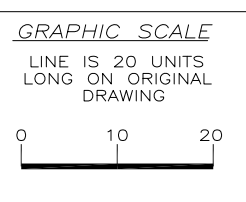


TYPICAL SECTION
SCALE: 1" = 5'

STANDARD DRAWINGS\DETAILS\SPIRALNAIL WALL\SPIDER WITH CAM LOCK

THIS DRAWING IS FURNISHED SOLELY FOR THE USE OF OR IN CONNECTION WITH THIS PROJECT AND THE PROPRIETARY INFORMATION SHOWN HEREON IS NOT TO BE TRANSMITTED TO ANY OTHER ORGANIZATION WITHOUT SPECIFIC AUTHORIZATION BY THE HILFIKER COMPANY. HILFIKER RETAINING WALLS ARE PROTECTED BY ONE OR MORE OF THE FOLLOWING PATENTS: 243,613; 243,697; 288,616; 4,117,686; 4,329,089; 4,324,508; 4,391,557; 4,505,621; 4,343,318; 4,661,023; 4,856,939; 4,929,125; 5,076,735; 5,647,695; 5,722,799; 5,733,072; 6,357,970B1; 6,874,975B2; 7,033,118B2; AND OTHERS. OTHER PATENTS PENDING (2008)

REV. NO.	DATE	BY	DESCRIPTION



PROJ. MGR.
BH

ENGINEER

CADD BY
HRW

HILFIKER RETAINING WALLS

1902 Hilfiker Lane
Eureka, CA 95503-5711
TOLL-FREE 800.762.8962
PH 707.443.5093 FAX 707.443.2891
WEB SITE www.hilfiker.com E-MAIL info@hilfiker.com

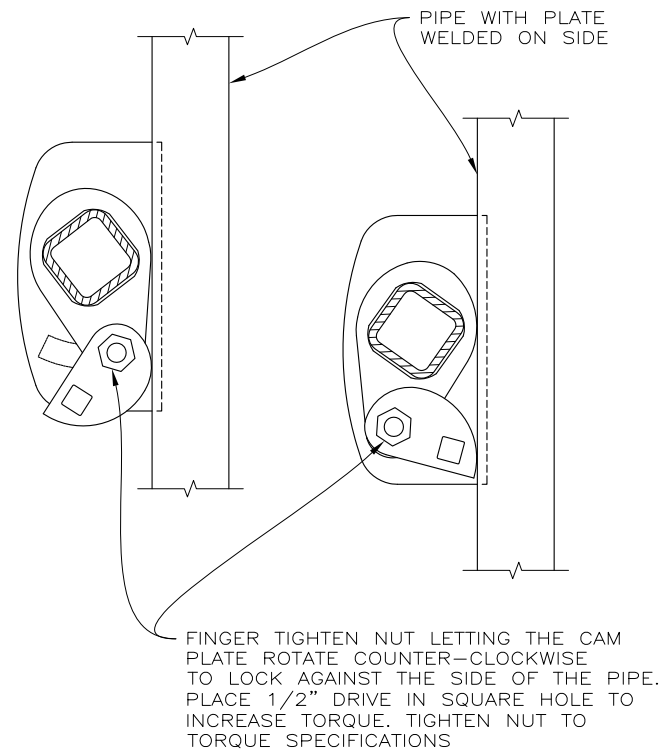
DWG DATE
20 JUN 12

REVISION DATE

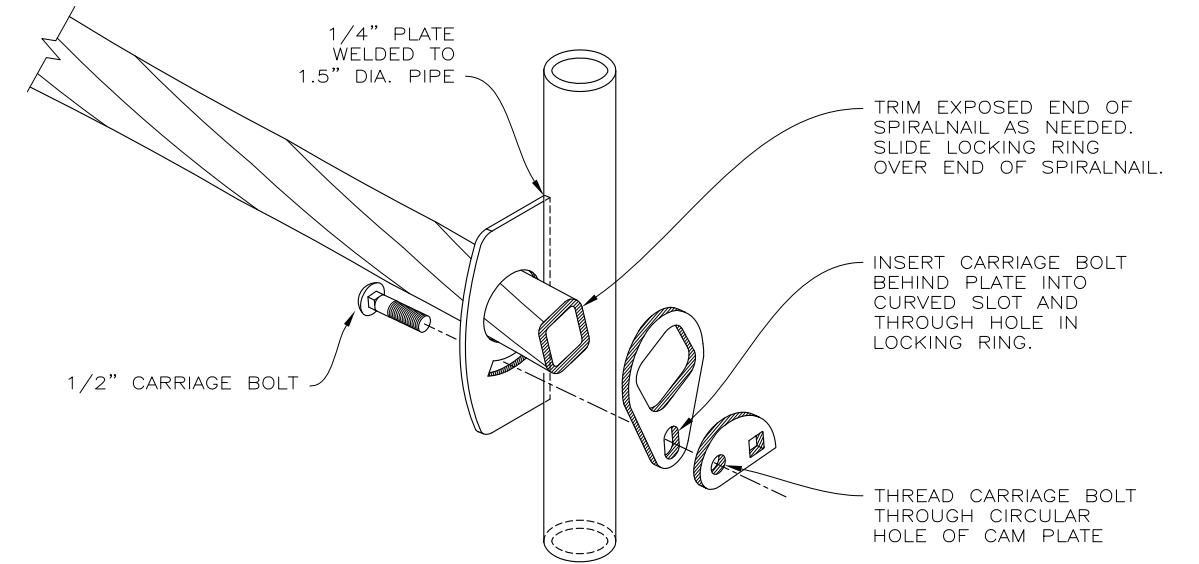
SCALE
NOTED

STANDARD DRAWING	PROJECT NO. --
SPIRALNAIL	SHEET 1
SPIDER WITH CAM LOCK	OF 3
DETAILS AND TYPICAL SECTION	

STANDARD DRAWINGS\DETAILS\SPIRALNAIL WALL\SPIDER WITH CAM LOCK

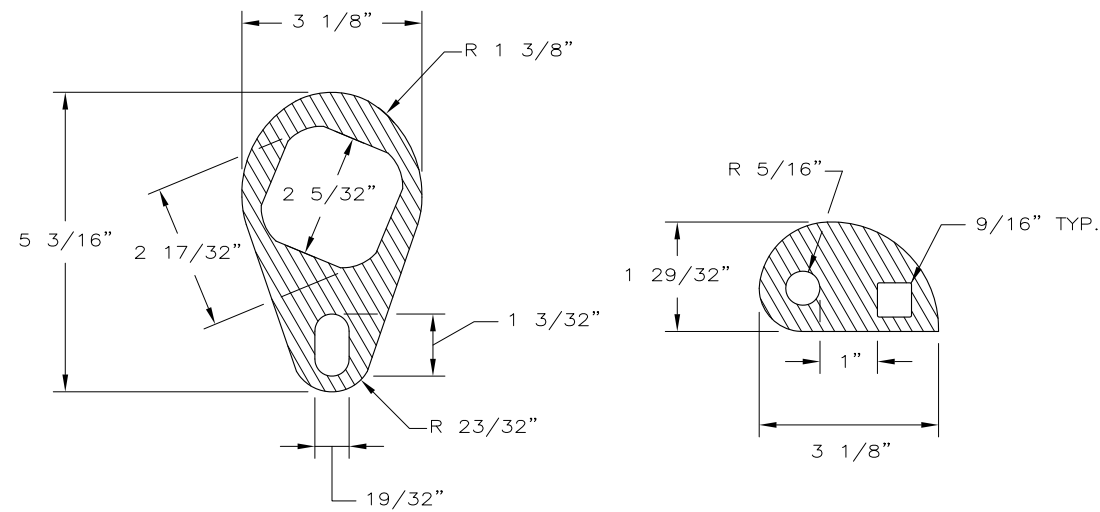


CAM LOCK LOCKING DETAIL
NOT TO SCALE

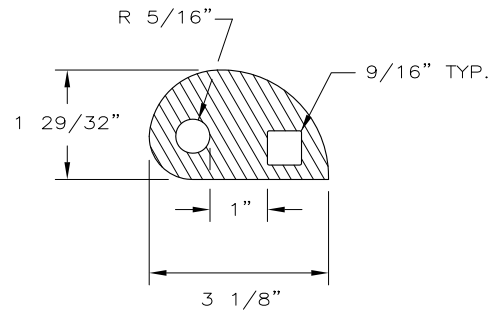


CAM LOCK ASSEMBLY
NOT TO SCALE

SLIDE TOTAL ASSEMBLY AGAINST THE FACE OF THE PILASTER. ADD NUT AND TIGHTEN AS SHOWN IN THE CAM LOCKING DETAIL.

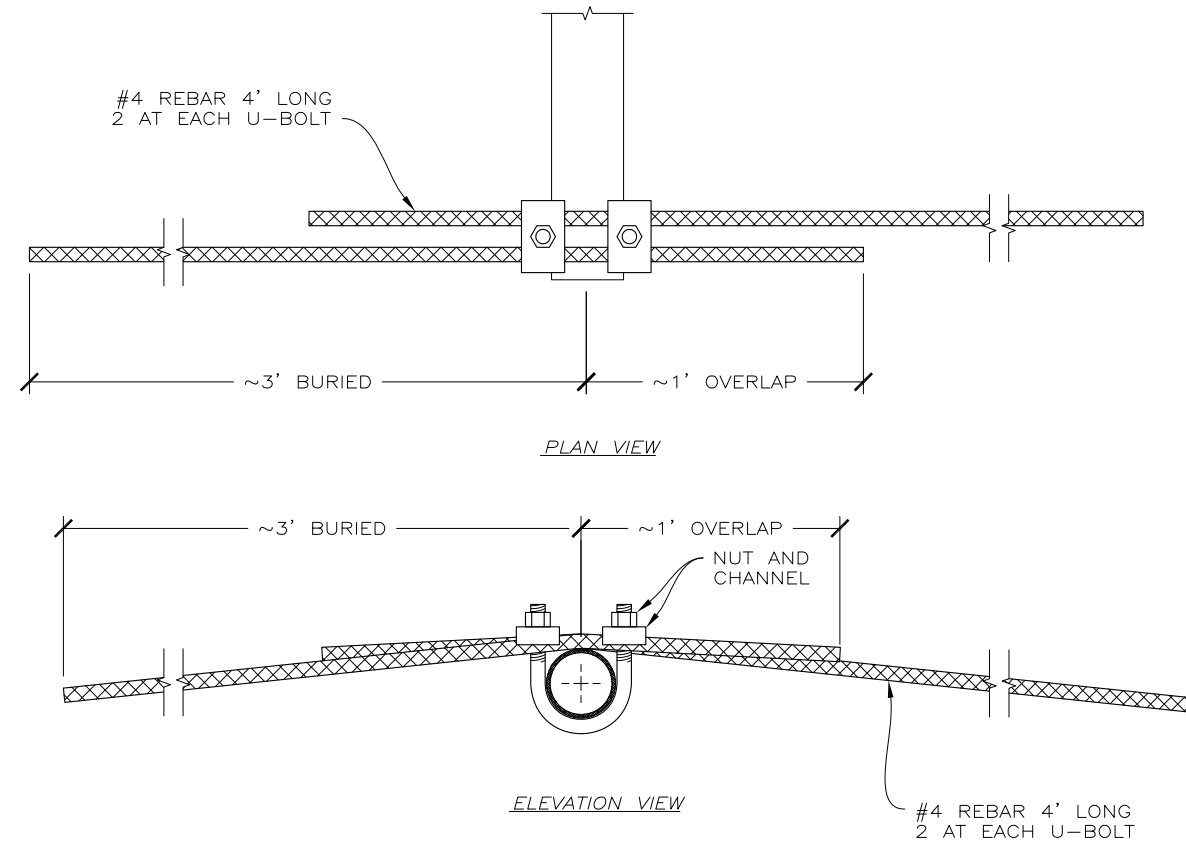


LOCKING RING
NOT TO SCALE



CAM PLATE
NOT TO SCALE

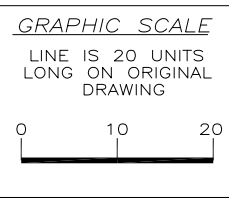
CAM LOCK COMPONENTS
NOT TO SCALE



REBAR DETAILS FOR SPIDER ASSEMBLY
SCALE VARIES

THIS DRAWING IS FURNISHED SOLELY FOR THE USE OF OR IN CONNECTION WITH THIS PROJECT AND THE PROPRIETARY INFORMATION SHOWN HEREON IS NOT TO BE TRANSMITTED TO ANY OTHER ORGANIZATION WITHOUT SPECIFIC AUTHORIZATION BY THE HILFIKER COMPANY. HILFIKER RETAINING WALLS ARE PROTECTED BY ONE OR MORE OF THE FOLLOWING PATENTS: 243,613; 243,697; 288,616; 4,117,686; 4,329,089; 4,324,508; 4,391,557; 4,505,621; 4,343,318; 4,661,023; 4,856,939; 4,929,125; 5,076,735; 5,647,695; 5,722,799; 5,733,072; 6,357,970B1; 6,874,975B2; 7,033,118B2; AND OTHERS. OTHER PATENTS PENDING (2008)

REV. NO.	DATE	BY	DESCRIPTION



PROJ. MGR.
BH
ENGINEER
CADD BY
HRW

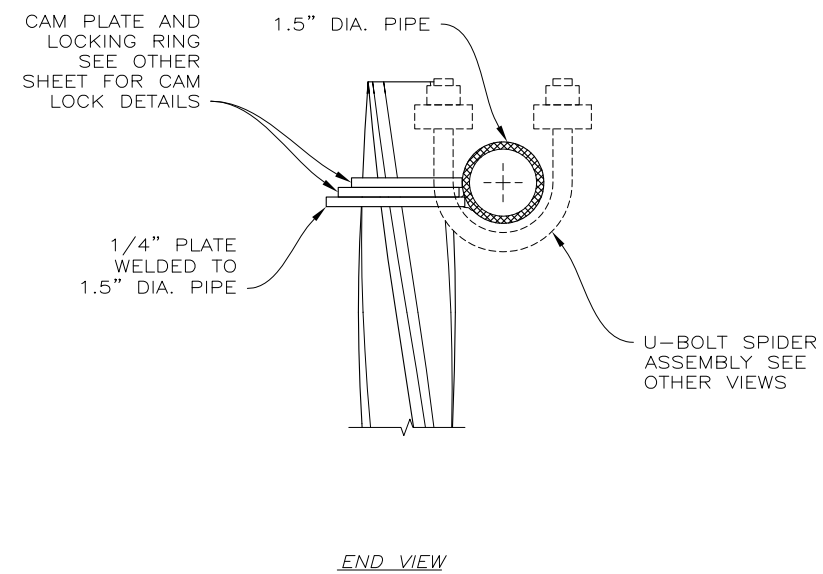
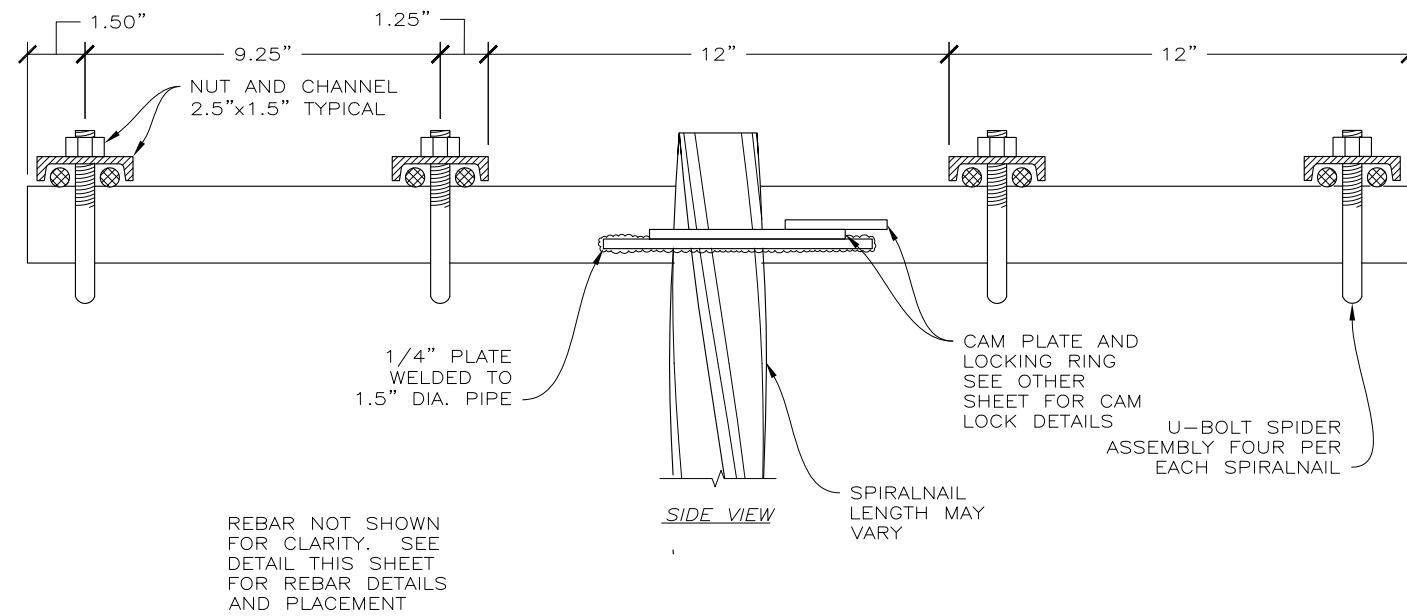
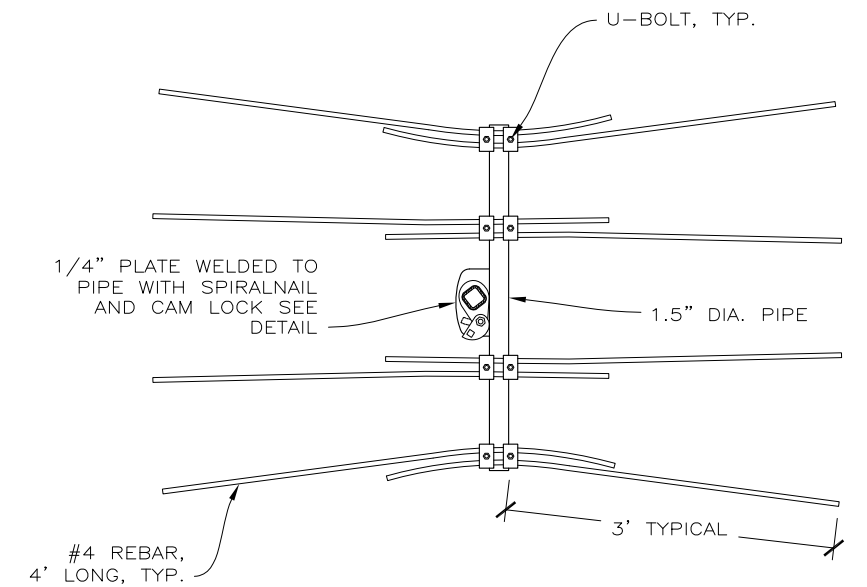
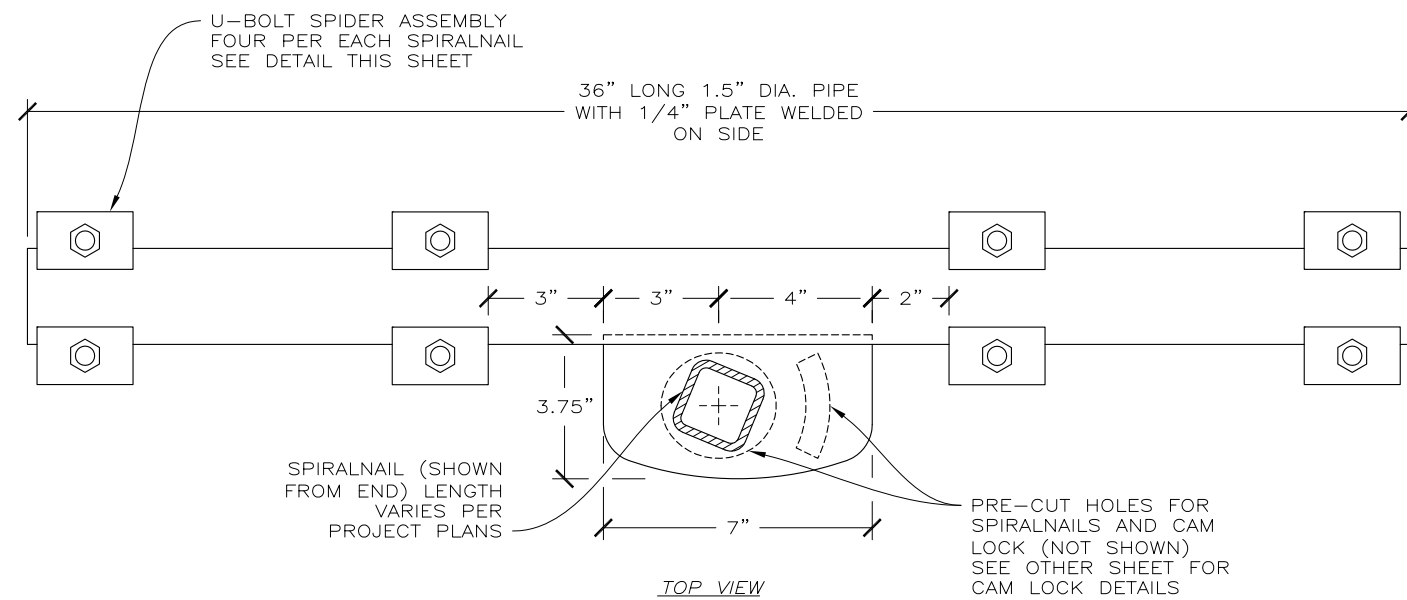
HILFIKER RETAINING WALLS

1902 Hilfiker Lane
Eureka, CA 95503-5711
TOLL-FREE 800.762.8962
PH 707.443.5093 FAX 707.443.2891
WEB SITE www.hilfiker.com E-MAIL info@hilfiker.com

DWG DATE
20 JUN 12
REVISION DATE
SCALE
NOTED

STANDARD DRAWING	PROJECT NO. --
SPIRALNAIL	SHEET 2
SPIDER WITH CAM LOCK	OF 3
DETAILS AND DEVELOPED ELEVATION	

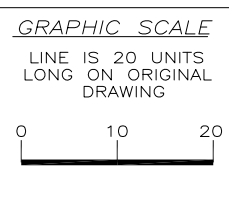
STANDARD DRAWINGS\DETAILS\SPIRALNAIL WALL\SPIDER WITH CAM LOCK



SPIRALNAIL AND SPIDER ASSEMBLY
NOT TO SCALE

THIS DRAWING IS FURNISHED SOLELY FOR THE USE OF OR IN CONNECTION WITH THIS PROJECT AND THE PROPRIETARY INFORMATION SHOWN HEREON IS NOT TO BE TRANSMITTED TO ANY OTHER ORGANIZATION WITHOUT SPECIFIC AUTHORIZATION BY THE HILFIKER COMPANY. HILFIKER RETAINING WALLS ARE PROTECTED BY ONE OR MORE OF THE FOLLOWING PATENTS: 243,613; 243,697; 288,616; 4,117,686; 4,329,089; 4,324,508; 4,391,557; 4,505,821; 4,343,318; 4,661,023; 4,856,939; 4,929,125; 5,076,735; 5,647,695; 5,722,799; 5,733,072; 6,357,970B1; 6,874,975B2; 7,033,118B2; AND OTHERS. OTHER PATENTS PENDING (2008)

REV.NO.	DATE	BY	DESCRIPTION



PROJ. MGR.
BH
ENGINEER
CADD BY
HRW

HILFIKER RETAINING WALLS

1902 Hilfiker Lane
Eureka, CA 95503-5711
TOLL-FREE 800.762.8962
PH 707.443.5093 FAX 707.443.2891
WEB SITE www.hilfiker.com E-MAIL info@hilfiker.com

SINCE 1902
QUALITY PRODUCT

DWG DATE
20 JUN 12
REVISION DATE
SCALE
NOTED

STANDARD DRAWING	PROJECT NO. --
SPIRALNAIL	SHEET 3
SPIDER WITH CAM LOCK	OF 3
SPIRALNAIL AND SPIDER ASSEMBLY VIEWS	