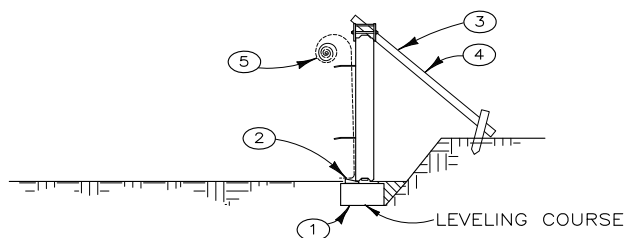
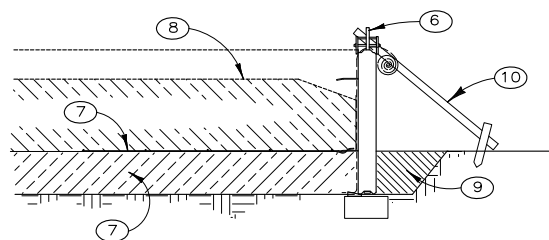


STANDARD DRAWINGS \ RSE WALL \ RSE 5x5 PANELS



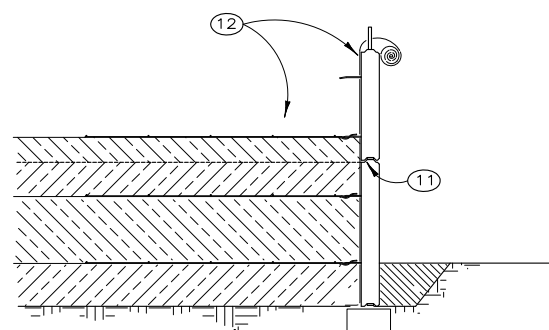
STEP 1

1. CAST THE LEVELING COURSE ON PREPARED FOUNDATION.
2. PLACE THE FIRST LIFT OF PANELS ON THE LEVELING COURSE. PLUMB WITH WOODEN WEDGES.
3. INSTALL TWO-SIDED BRACING BLOCKS ACROSS THE TOPMOST MATING EDGES OF ADJACENT PANELS.
4. INSTALL 2x4 WOOD BRACING TO EACH PANEL THAT IS 5' OR MORE IN HEIGHT.
5. BEGIN UNROLLING THE FILTER FABRIC AGAINST ALL VERTICAL AND HORIZONTAL JOINTS. FILTER FABRIC SHALL MEET THE REQUIREMENTS OF SECTION 02320 IN THE ODOT STANDARD SPECS FOR TYPE 1 (LEVEL B) DRAINAGE GEOTEXTILE.



STEP 2

6. INSTALL PANEL ALIGNMENT PINS BEFORE BEGINNING ANY BACKFILL.
7. PLACE AND COMPACT THE BACKFILL TO THE LEVEL OF THE FIRST COURSE OF SOIL REINFORCEMENT MATS. PLACE THE SOIL REINFORCEMENT MATS.
8. PLACE AND COMPACT MORE BACKFILL, TO THE NEXT LEVEL OF THE SOIL REINFORCEMENT MATS.
9. BACKFILL AND COMPACT TOE AT FACE OF MATS.
10. BRACING MAY BE REMOVED ONLY AFTER SUFFICIENT COMPACTED BACKFILL HAS BEEN PLACED OVER THE SOIL REINFORCEMENT MATS TO MAKE THE CONSTRUCTION STABLE.

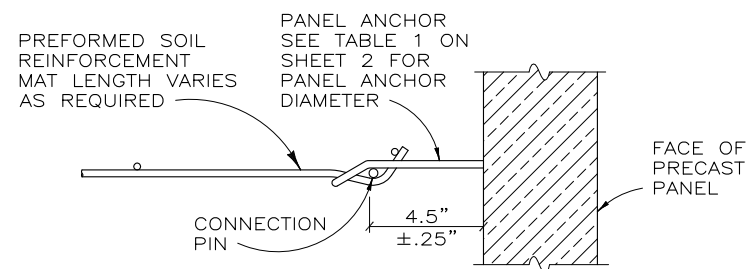


STEP 3

11. PLACE THE EPDM RUBBER OR HDPE BEARING PADS. REMOVE THE BRACING BLOCKS AND INSTALL THE NEXT LEVEL OF PANELS AND SECURE WITH TWO-SIDED BRACING BLOCKS.
12. CONTINUE STEPS 3, 5, 6, 7, 8 AND 10 TO THE TOP OF THE WALL

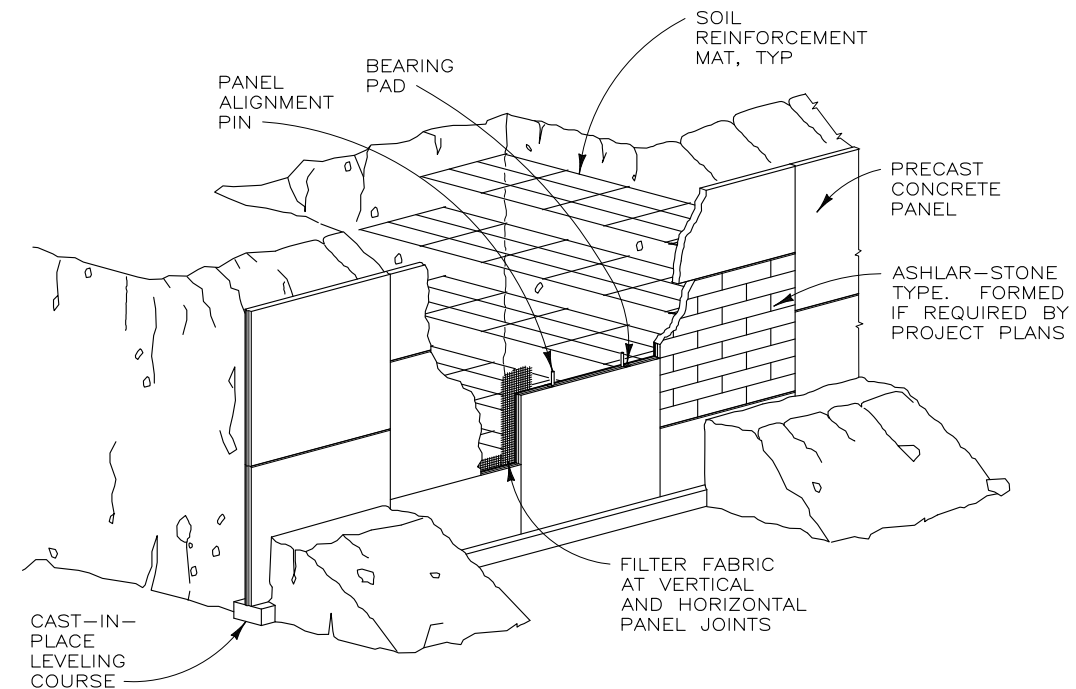
CONSTRUCTION SEQUENCE

NOT TO SCALE



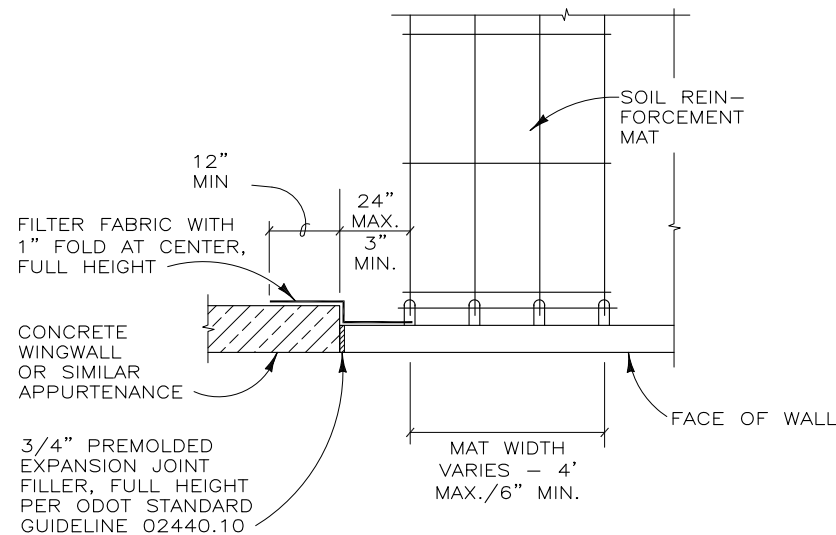
MAT CONNECTION DETAIL

NOT TO SCALE



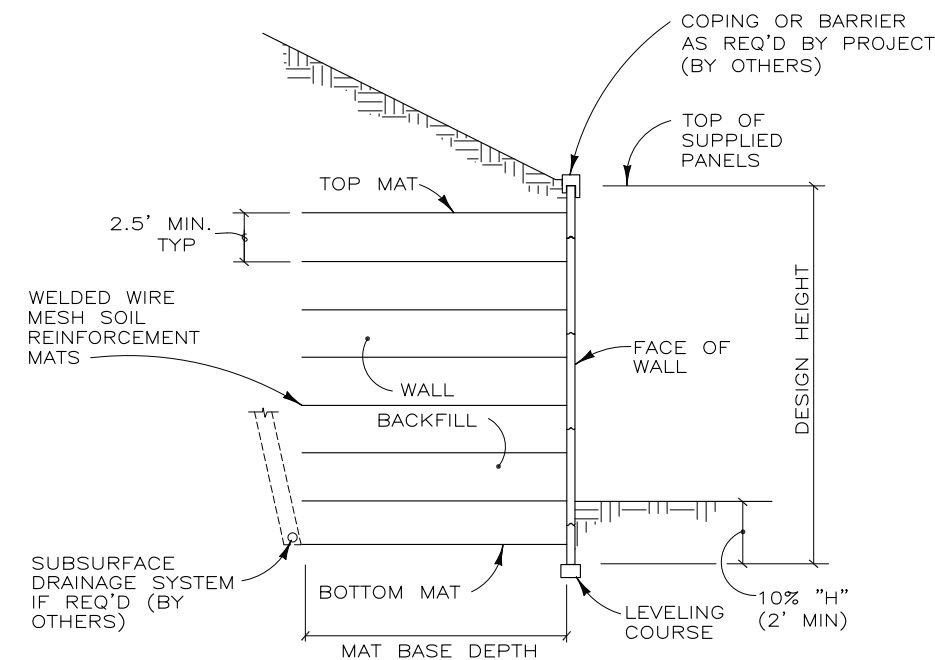
PICTORIAL ELEVATION

NOT TO SCALE



R.S.E. / NON-R.S.E. JOINT

NOT TO SCALE

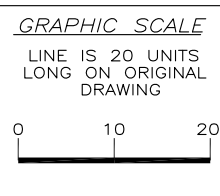


SECTION

NOT TO SCALE

THIS DRAWING IS FURNISHED SOLELY FOR THE USE OF OR IN CONNECTION WITH THIS PROJECT AND THE PROPRIETARY INFORMATION SHOWN HEREON IS NOT TO BE TRANSMITTED TO ANY OTHER ORGANIZATION WITHOUT SPECIFIC AUTHORIZATION BY THE HILFIKER COMPANY. HILFIKER RETAINING WALLS ARE PROTECTED BY ONE OR MORE OF THE FOLLOWING PATENTS: 243,613; 243,697; 288,616; 4,117,686; 4,329,089; 4,324,508; 4,391,557; 4,505,621; 4,343,318; 4,661,023; 4,856,939; 4,929,125; 5,076,735; 5,647,695; 5,722,799; 5,733,072; 6,357,970B1; 6,874,975B2; 7,033,118B2; AND OTHERS. OTHER PATENTS PENDING (2008)

REV. NO.	DATE	BY	DESCRIPTION
1	11 MAR 13	AMJ	REVISED PER ODOT COMMENTS



PROJ. MGR.
ENGINEER
CADD BY
HRW

HILFIKER RETAINING WALLS

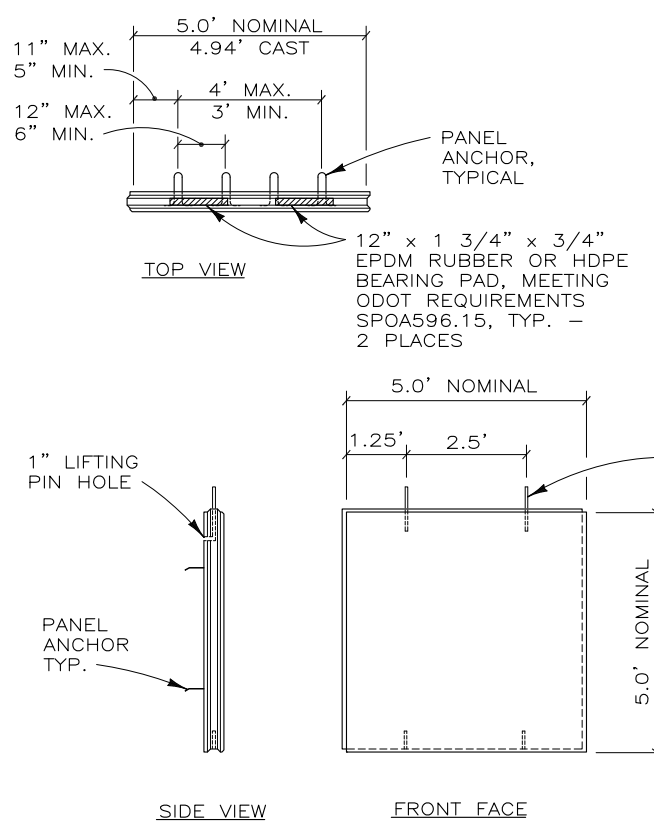
1902 Hilfiker Lane
Eureka, CA 95503-5711
TOLL-FREE 800.762.8962
PH 707.443.5093 FAX 707.443.2891
WEBSITE www.hilfiker.com E-MAIL info@hilfiker.com

SINCE 1902
QUALITY PRODUCTS

DWG DATE
AUG 2010
REVISION DATE
MAR 2013
SCALE
NOTED

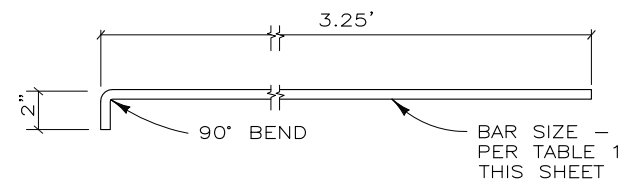
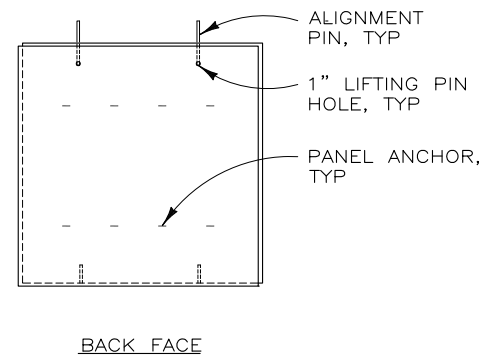
STANDARD DRAWING	
REINFORCED SOIL EMBANKMENT	
5' x 5' PANELS	
STANDARD DETAILS	

PROJECT NO. ---
SHEET **1** OF 3

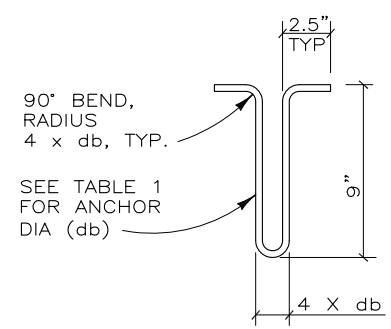


STANDARD PANEL DIMENSIONS
NOT TO SCALE

- NOTES:
- STANDARD PRECAST PANEL SHOWN. SIZE MAY VARY AS REQUIRED AND TOP OF PANELS MAY BE CAST SLOPED IF REQUIRED.
 - SOIL REINFORCEMENT MAT WIDTHS AND PANEL ANCHOR SPACING WILL VARY WITH WALL HEIGHTS AND EXTERNAL LOADING CONDITIONS.



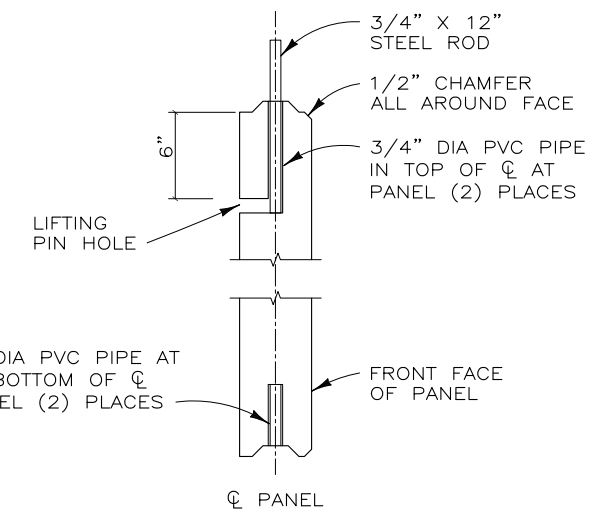
CONNECTION PIN DETAIL
NOT TO SCALE



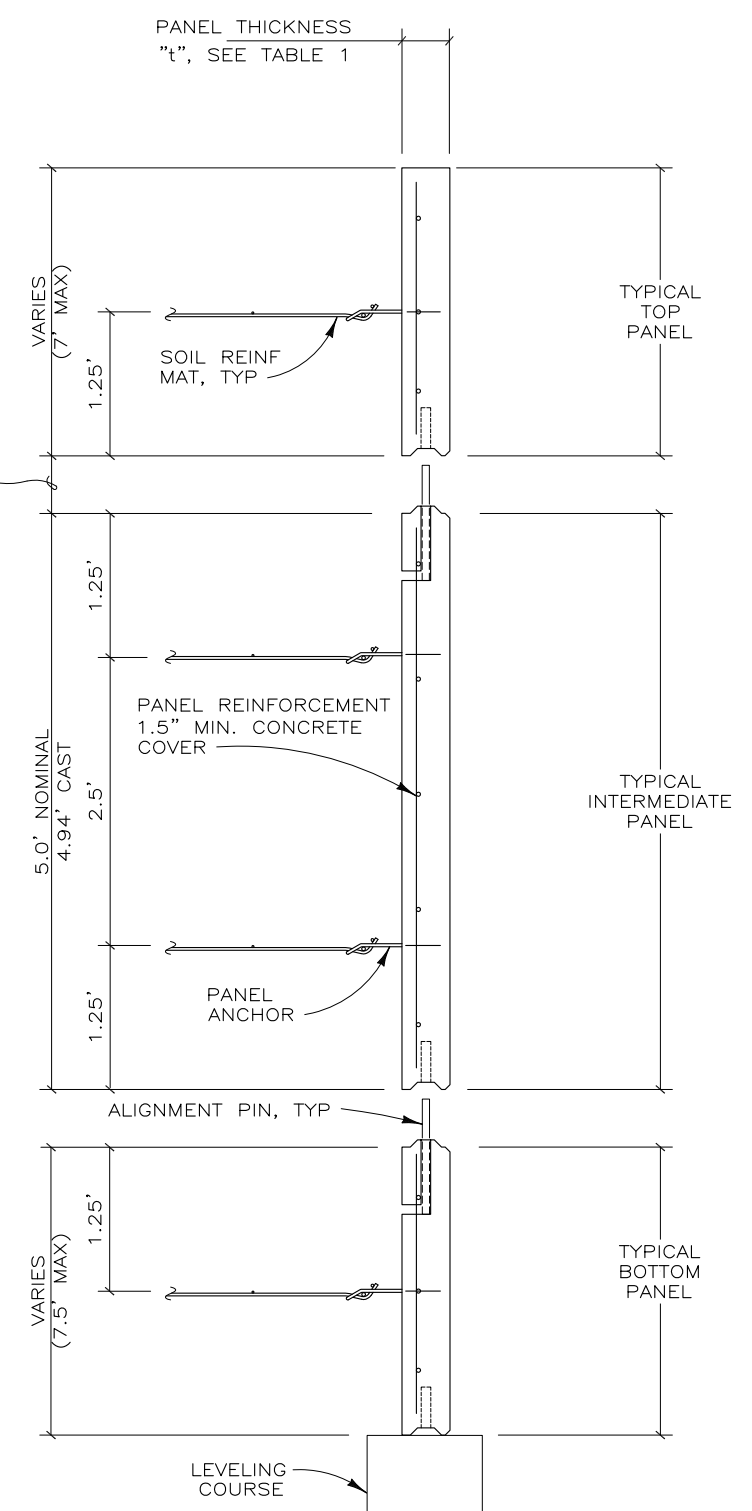
PANEL ANCHOR DETAIL
NOT TO SCALE



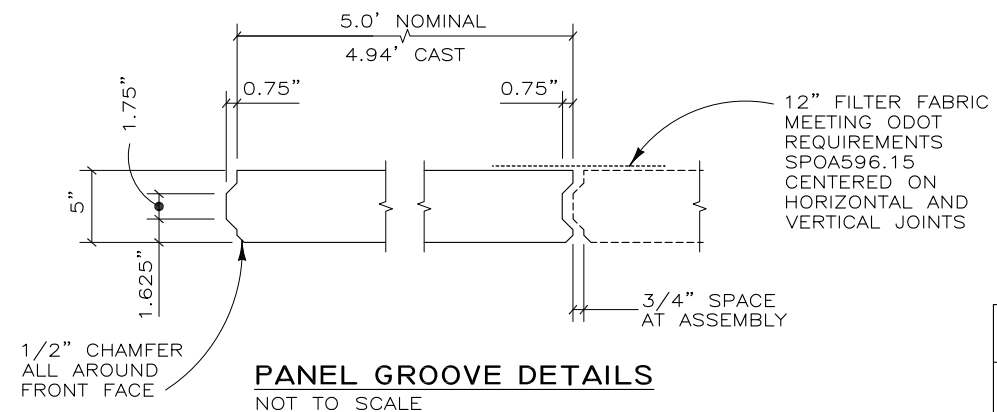
NOTE: STANDARD HEIGHT OF TOP PANELS IS 2.5' OR 5.0'. TOP OF PANEL MAY BE SLOPED IF REQUIRED. STANDARD HEIGHT OF BOTTOM PANELS IS 2.5' OR 5.0'.



ALIGNMENT PIN DETAIL
NOT TO SCALE



PANEL SECTIONS
NOT TO SCALE



PANEL GROOVE DETAILS
NOT TO SCALE

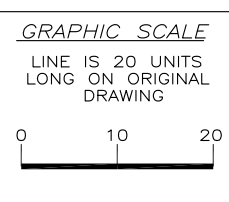
TABLE 1

PANEL THICKNESS "t" (mm)	PANEL REINF. (HORIZ. X VERT.)	PANEL ANCHOR	CONNECTION PIN
5"	(4)#4 X (4)#4	D5	W14
5"	(4)#4 X (4)#4	D6	W20
5"	(4)#4 X (4)#4	D8	#5
5"	(5)#4 X (4)#4	D9	#5
5"	(6)#4 X (4)#4	D11	#6
5.5"	(6)#4 X (4)#4	D12	#6

STANDARD DRAWINGS\RSE WALL\RSE 5x5 PANELS

THIS DRAWING IS FURNISHED SOLELY FOR THE USE OF OR IN CONNECTION WITH THIS PROJECT AND THE PROPRIETARY INFORMATION SHOWN HEREON IS NOT TO BE TRANSMITTED TO ANY OTHER ORGANIZATION WITHOUT SPECIFIC AUTHORIZATION BY THE HILFIKER COMPANY. HILFIKER RETAINING WALLS ARE PROTECTED BY ONE OR MORE OF THE FOLLOWING PATENTS: 243,613; 243,697; 288,616; 4,117,886; 4,329,089; 4,324,508; 4,391,557; 4,505,821; 4,343,318; 4,661,023; 4,856,939; 4,929,125; 5,076,735; 5,647,695; 5,722,799; 5,733,072; 6,357,970B1; 6,874,975B2; 7,033,118B2; AND OTHERS. OTHER PATENTS PENDING (2008)

REV. NO.	DATE	BY	DESCRIPTION
1	11 MAR 13	AMJ	REVISED PER ODOT COMMENTS



PROJ. MGR.
ENGINEER
CADD BY
HRW

HILFIKER RETAINING WALLS

1902 Hilfiker Lane
Eureka, CA 95503-5711
TOLL-FREE 800.762.8962
PH 707.443.5093 FAX 707.443.2891
WEBSITE www.hilfiker.com E-MAIL info@hilfiker.com

SINCE 1902
QUALITY PRODUCTS

DWG DATE
AUG 2010
REVISION DATE
MAR 2013
SCALE
NOTED

STANDARD DRAWING

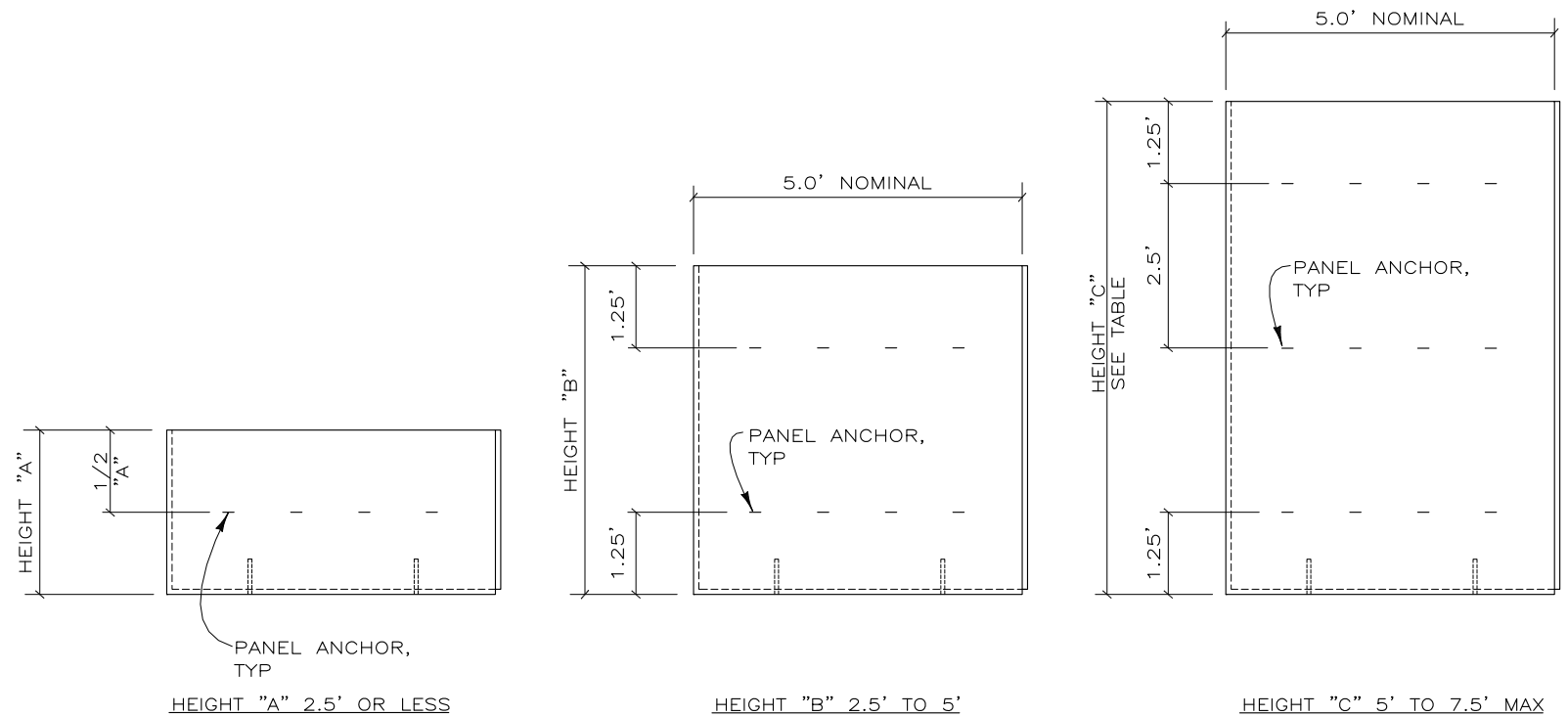
REINFORCED SOIL EMBANKMENT

5' x 5' PANELS
STANDARD DETAILS

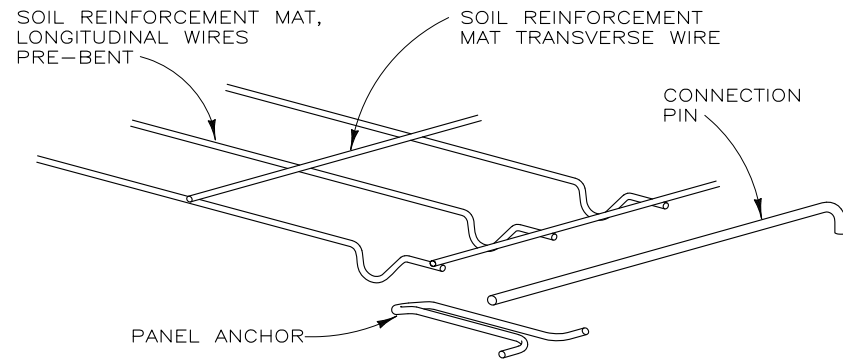
PROJECT NO.
--
SHEET
2
OF 3

STANDARD DRAWINGS\RSE WALL\RSE 5x5 PANELS

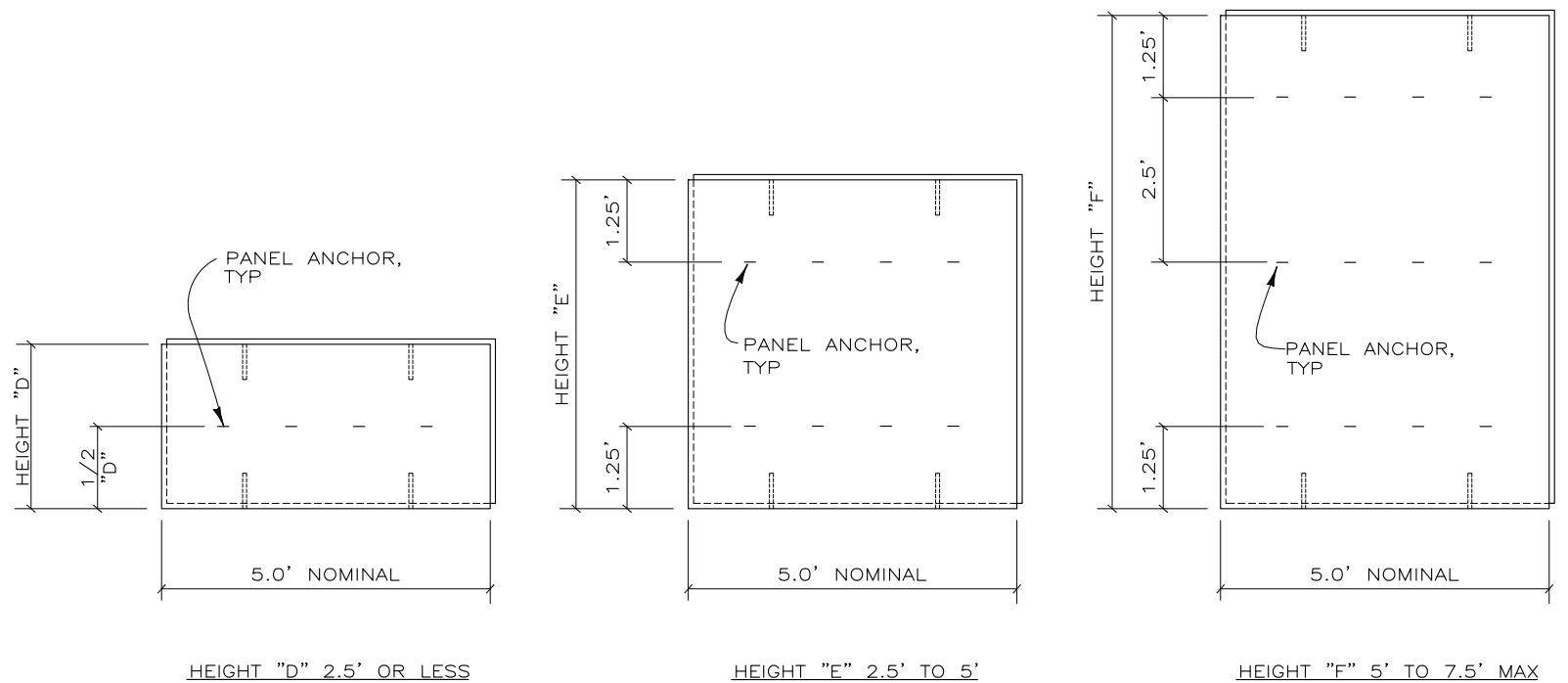
WIRE MAT DIMENSIONS			
LONGITUDINAL SPACING	TRANSVERSE SPACING	LONGITUDINAL WIRE SIZE "W"	TRANSVERSE WIRE SIZE "W"
6" MIN.	12" MIN.	W4.5 MIN.	W3.5 MIN.
18" MAX.	36" MAX.	W20.0 MAX.	W8.0 MAX.



VARIABLE HEIGHT TOP PANEL DETAILS (BACK FACE)
NOT TO SCALE



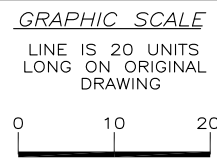
MAT AND CONNECTION COMPONENTS



VARIABLE HEIGHT BOTTOM PANEL DETAILS (BACK FACE)
NOT TO SCALE

THIS DRAWING IS FURNISHED SOLELY FOR THE USE OF OR IN CONNECTION WITH THIS PROJECT AND THE PROPRIETARY INFORMATION SHOWN HEREON IS NOT TO BE TRANSMITTED TO ANY OTHER ORGANIZATION WITHOUT SPECIFIC AUTHORIZATION BY THE HILFIKER COMPANY. HILFIKER RETAINING WALLS ARE PROTECTED BY ONE OR MORE OF THE FOLLOWING PATENTS: 243,613; 243,697; 288,616; 4,117,686; 4,329,089; 4,324,508; 4,391,557; 4,505,621; 4,343,318; 4,661,023; 4,856,939; 4,929,125; 5,076,735; 5,647,695; 5,722,799; 5,733,072; 6,357,970B1; 6,874,975B2; 7,033,118B2; AND OTHERS. OTHER PATENTS PENDING (2008)

REV. NO.	DATE	BY	DESCRIPTION
1	11 MAR 13	AMJ	REVISED PER ODOT COMMENTS



PROJ. MGR.
ENGINEER
CADD BY
HRW

HILFIKER RETAINING WALLS

1902 Hilfiker Lane
Eureka, CA 95503-5711
TOLL-FREE 800.762.8962
PH 707.443.5093 FAX 707.443.2891
WEBSITE www.hilfiker.com E-MAIL info@hilfiker.com

DWG DATE
AUG 2010
REVISION DATE
MAR 2013
SCALE
NOTED

STANDARD DRAWING	
REINFORCED SOIL EMBANKMENT	
5' x 5' PANELS	
STANDARD DETAILS	

PROJECT NO.

SHEET
3
OF 3