

| ESTIMATED WALL FACE AREA AND MATERIAL QUANTITIES | | | | | | | | | | |
|--|----------------------------|--------------------|-------------------|--------|---------|--------|---------|-------------|----------------------|----------------------|
| WALL NO. | WIRETRUSS VENEER FACE AREA | FLAT MAT FACE AREA | FLAT MAT QUANTITY | 2' B/E | 2' STD. | 4' B/E | 4' STD. | SPIRALNAILS | 4' PILASTER SEGMENTS | ESTIMATED CONNECTORS |
| WALL 2 | 5,640 SQ. FT. | 5,838 SQ. FT. | 83 | 10 | 50 | 4 | 248 | 319 | 308 | 241 |
| WALL 7 | 3,020 SQ. FT. | 3,184 SQ. FT. | 46 | 30 | 32 | 2 | 118 | 176 | 159 | 120 |
| WALL 14 | 1,060 SQ. FT. | 1,223 SQ. FT. | 17 | 14 | 28 | | 32 | 76 | 58 | 32 |
| WALL 15 | 6,940 SQ. FT. | 7,358 SQ. FT. | 106 | 62 | 74 | 2 | 277 | 402 | 365 | 302 |
| TOTALS | 16,660 SQ. FT. | 17,603 SQ. FT. | 252 | 116 | 184 | 8 | 675 | 973 | 890 | 695 |

| ESTIMATED SPIRALNAIL QUANTITIES AND LENGTHS | | | | | |
|---|--------|--------|---------|---------|--------|
| SPIRALNAIL LENGTHS | WALL 2 | WALL 7 | WALL 14 | WALL 15 | TOTALS |
| 35 | | | | 131 | 131 |
| 32 | 110 | | | 30 | 140 |
| 29 | 55 | 20 | | 72 | 147 |
| 26 | 55 | 32 | | 14 | 101 |
| 23 | 71 | 34 | | 58 | 163 |
| 17 | 20 | 54 | 24 | 52 | 150 |
| 11 | 8 | 32 | 32 | 37 | 109 |
| 5 | | 4 | 20 | 8 | 32 |
| TOTALS | 319 | 176 | 76 | 402 | 973 |

| ESTIMATED QUANTITIES | | | | | |
|----------------------|--------|--------|---------|---------|--------|
| PILASTER HEIGHT | WALL 2 | WALL 7 | WALL 14 | WALL 15 | TOTALS |
| 2 | | | 3 | 2 | 5 |
| 4 | | | 3 | 2 | 5 |
| 6 | | 3 | 3 | 2 | 8 |
| 8 | 1 | 6 | 5 | 7 | 19 |
| 10 | 2 | 3 | 4 | 4 | 13 |
| 12 | 2 | 3 | 8 | 7 | 20 |
| 14 | 4 | 2 | | 18 | 24 |
| 16 | 12 | 4 | | 5 | 21 |
| 18 | 46 | 3 | | 3 | 52 |
| 20 | | 6 | | 7 | 13 |
| 22 | | 5 | | 7 | 12 |
| 24 | | 4 | | 21 | 25 |
| TOTALS | 67 | 39 | 26 | 85 | 217 |

PROJECT-SPECIFIC NOTES:

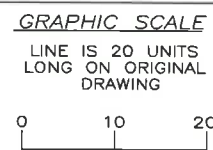
- REFERENCE DRAWINGS: BASED ON AUTOCAD WALL PROFILES AND PLAN VIEWS PROVIDED BY SPRINGHILL, LLC RECEIVED 27 AUGUST 2014 WITH REVISIONS TO WALL 2 RECEIVED 15 APRIL 2015. ALSO EARTH SOLUTIONS NW SHEET W2 RECEIVED SAME DATE, LEGEND BLOCK NOTES 03 MARCH 2015 REVISION.
- BLACK AND WHITE REPRODUCTION OF THIS COLOR ORIGINAL MAY REDUCE ITS EFFECTIVENESS AND LEAD TO INCORRECT INTERPRETATION.
- IT IS ASSUMED THAT ALL MATERIALS, BACKFILL AND CONSTRUCTION METHODS FOR HILFIKER M.S.E. WALLS WILL CONFORM TO HILFIKER'S SPECIFICATIONS AND/OR THOSE OF THE HILFIKER ENGINEERING CONSULTANT.
- WALL DESIGN SHALL REQUIRE A NON-SATURATED BACKFILL. SURFACE AND SUBSURFACE DRAINAGE CONTROL MAY BE REQUIRED TO PREVENT SATURATION OF THE BACKFILL OR TO RELIEVE HYDROSTATIC PRESSURES. DRAINAGE CONTROL SHALL BE AS SPECIFIED IN THE OWNER'S PROJECT PLANS AND SPECIFICATIONS, OR AS DIRECTED BY THE OWNER'S ENGINEER.



140827AN WESTRIDGE

THIS DRAWING IS FURNISHED SOLELY FOR THE USE OF OR IN CONNECTION WITH THIS PROJECT AND THE PROPRIETARY INFORMATION SHOWN HEREON IS NOT TO BE TRANSMITTED TO ANY OTHER ORGANIZATION WITHOUT SPECIFIC AUTHORIZATION BY THE HILFIKER COMPANY. HILFIKER RETAINING WALLS ARE PROTECTED BY ONE OR MORE OF THE FOLLOWING PATENTS: 243,613; 243,697; 288,616; 4,117,688; 4,329,089; 4,324,508; 4,391,557; 4,505,621; 4,343,318; 4,661,023; 4,856,939; 4,929,125; 5,076,735; 5,647,695; 5,722,799; 5,733,072; 6,357,970B1; 6,874,975B2; 7,033,118B2; AND OTHERS. OTHER PATENTS PENDING (2008)

| REV. NO. | DATE | BY | DESCRIPTION |
|----------|-----------|-----|---|
| 1 | 21 APR 15 | AMJ | REMOVED WALLS 1,3,4 & 5; REVISED WALL 2, QUANTITY CHARTS AND SOME DETAILS; UPDATED SPIRALNAIL LENGTHS |
| 2 | 28 APR 15 | AMJ | PLACE SPIRALNAIL LENGTHS ON WALLS |



PROJ. MGR.
BH
ENGINEER
CADD BY
AMJ

HILFIKER RETAINING WALLS

1902 Hilfiker Lane
Eureka, CA 95503-5711
TOLL-FREE 800.762.8962
PH 707.443.5093 FAX 707.443.2891
WEBSITE www.hilfiker.com E-MAIL info@hilfiker.com

SINCE 1902
QUALITY PROJECTS

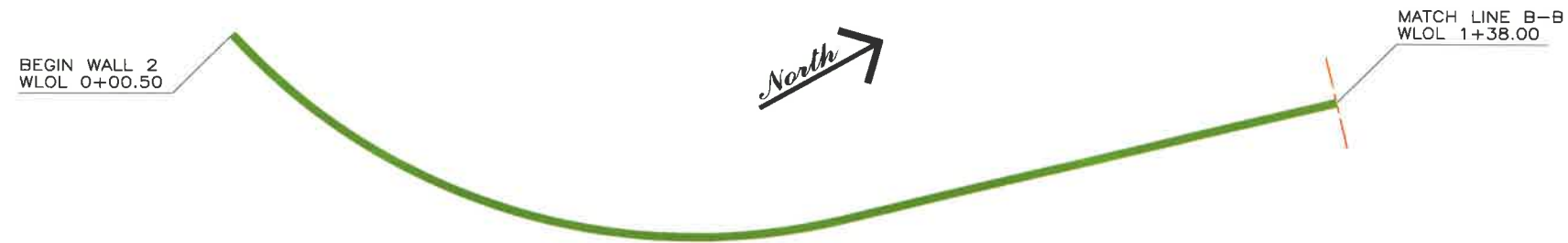
DWG DATE
6 OCT 14
REVISION DATE
28 APR 15
SCALE
NOTED

ENGINEERED SUBMITTAL

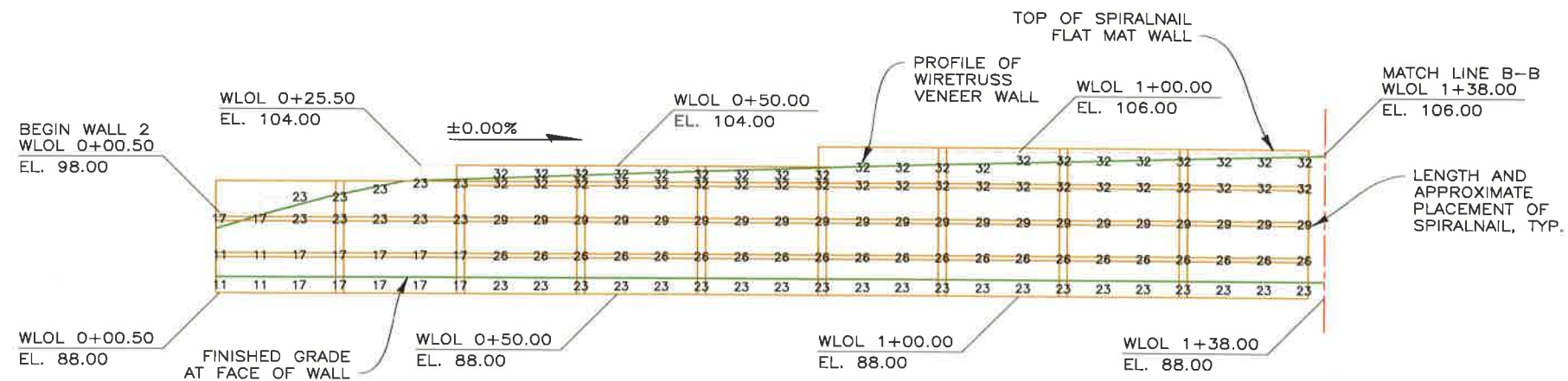
WIRETRUSS VENEER
WESTRIDGE
SPRINGHILL CONSTRUCTION, LLC
EDGEWOOD, WASHINGTON

QUANTITY CHARTS AND NOTES

PROJECT NO.
140827AN
SHEET
1
OF 13

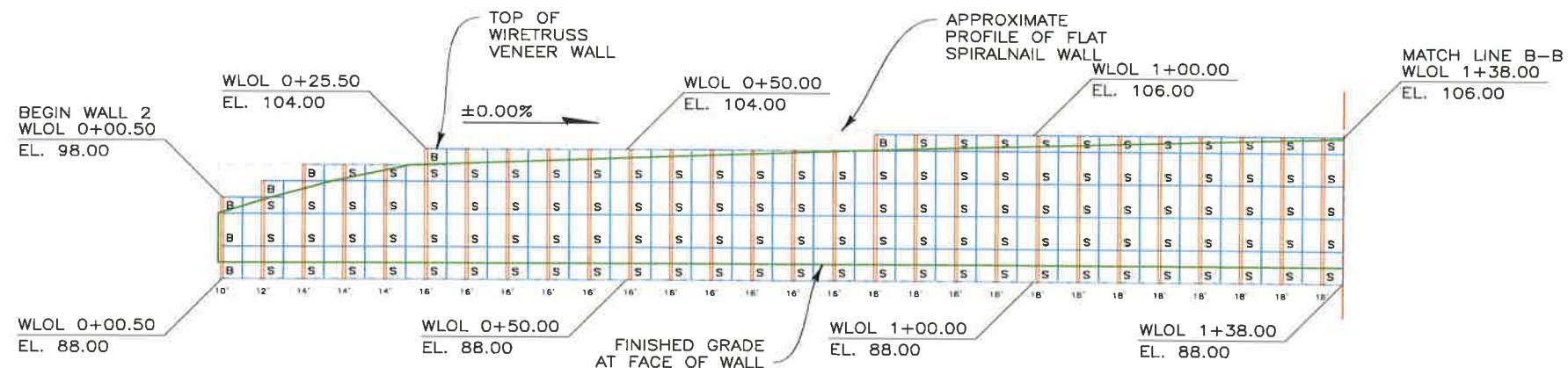


PLAN VIEW - WALL 2
SCALE: 1" = 20'



DEVELOPED ELEVATION - WALL 2
SCALE: 1" = 20'

FLAT MATS AND SPIRALNAILS ONLY
MAX HEIGHT = 22'



DEVELOPED ELEVATION - WALL 2
SCALE: 1" = 20'

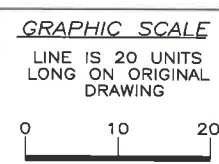
WIRETRUSS AND PILASTERS ONLY
MAX HEIGHT = 22'



140827AN WESTRIDGE

THIS DRAWING IS FURNISHED SOLELY FOR THE USE OF OR IN CONNECTION WITH THIS PROJECT AND THE PROPRIETARY INFORMATION SHOWN HEREON IS NOT TO BE TRANSMITTED TO ANY OTHER ORGANIZATION WITHOUT SPECIFIC AUTHORIZATION BY THE HILFIKER COMPANY. HILFIKER RETAINING WALLS ARE PROTECTED BY ONE OR MORE OF THE FOLLOWING PATENTS: 243,613; 243,697; 288,616; 4,117,686; 4,329,089; 4,324,508; 4,391,557; 4,505,621; 4,343,318; 4,661,023; 4,856,939; 4,929,125; 5,076,735; 5,647,695; 5,722,799; 5,733,072; 6,357,970B1; 6,874,975B2; 7,033,118B2; AND OTHERS. OTHER PATENTS PENDING (2008)

| REV. NO. | DATE | BY | DESCRIPTION |
|----------|-----------|-----|---|
| 1 | 21 APR 15 | AMJ | REMOVED WALLS 1,3,4 & 5; REVISED WALL 2, QUANTITY CHARTS AND SOME DETAILS; UPDATED SPIRALNAIL LENGTHS |
| 2 | 28 APR 15 | AMJ | PLACE SPIRALNAIL LENGTHS ON WALLS |



PROJ. MGR.
BH
ENGINEER
CADD BY
AMJ

HILFIKER RETAINING WALLS

1902 Hilfiker Lane
Eureka, CA 95503-5711
TOLL-FREE 800.762.8962
PH 707.443.5093 FAX 707.443.2891
WEB SITE www.hilfiker.com E-MAIL Info@hilfiker.com

DWG DATE
6 OCT 14
REVISION DATE
28 APR 15
SCALE
NOTED

ENGINEERED SUBMITTAL

WIRETRUSS VENEER
WESTRIDGE
SPRINGHILL CONSTRUCTION, LLC
EDGEWOOD, WASHINGTON

WALL VIEWS - WALL 2

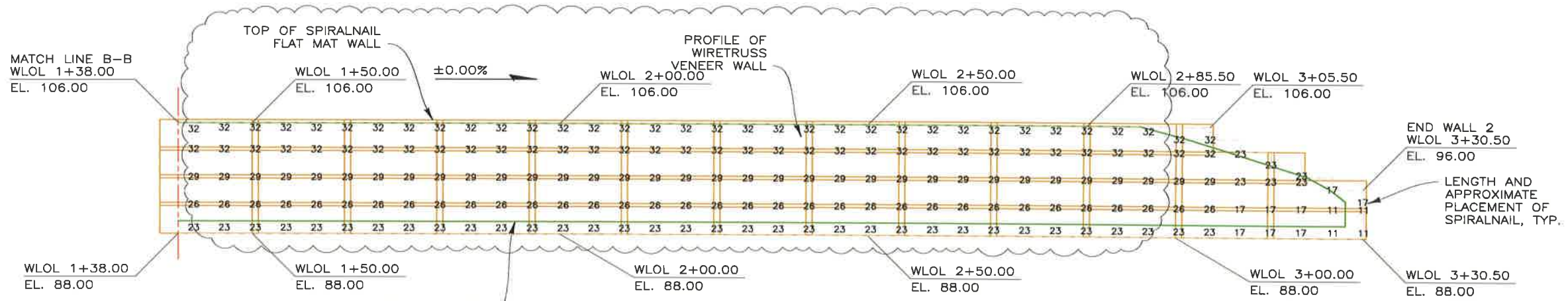
PROJECT NO.
140827AN
SHEET
2
OF 13



MATCH LINE B-B
WLOL 1+38.00

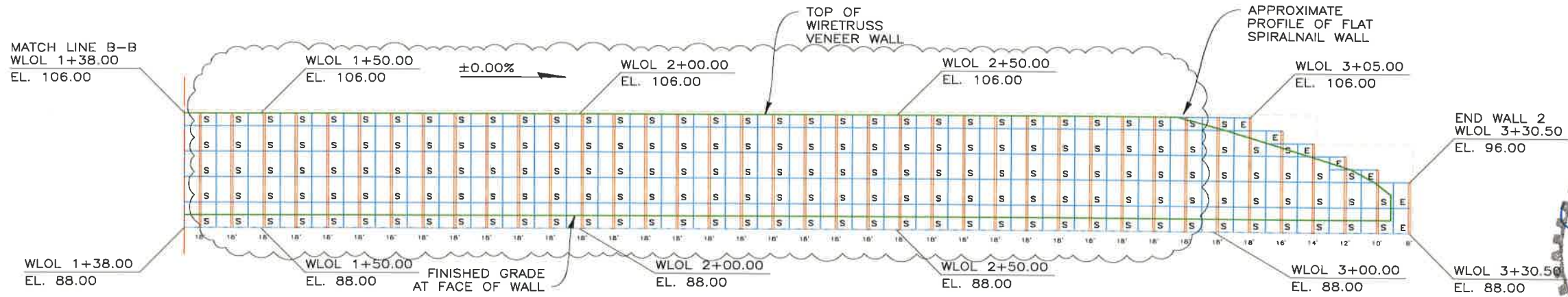
END WALL 2
WLOL 3+30.50

PLAN VIEW - WALL 2
SCALE: 1" = 20'



DEVELOPED ELEVATION - WALL 2 CONT'D
SCALE: 1" = 20'

FLAT MATS AND SPIRALNAILS ONLY
MAX HEIGHT = 22'



DEVELOPED ELEVATION - WALL 2 CONT'D
SCALE: 1" = 20'

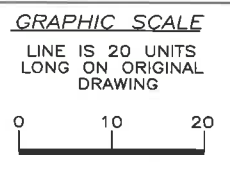
WIRETRUSS AND PILASTERS ONLY
MAX HEIGHT = 22'



140827AN WESTRIDGE

THIS DRAWING IS FURNISHED SOLELY FOR THE USE OF OR IN CONNECTION WITH THIS PROJECT AND THE PROPRIETARY INFORMATION SHOWN HEREON IS NOT TO BE TRANSMITTED TO ANY OTHER ORGANIZATION WITHOUT SPECIFIC AUTHORIZATION BY THE HILFIKER COMPANY. HILFIKER RETAINING WALLS ARE PROTECTED BY ONE OR MORE OF THE FOLLOWING PATENTS: 243,613; 243,697; 288,616; 4,117,686; 4,329,089; 4,324,506; 4,391,557; 4,505,621; 4,343,318; 4,661,023; 4,656,938; 4,999,125; 5,076,735; 5,647,695; 5,722,799; 5,733,072; 6,357,970B1; 6,874,975B2; 7,033,118B2; AND OTHERS. OTHER PATENTS PENDING (2008)

| REV. NO. | DATE | BY | DESCRIPTION |
|----------|-----------|-----|---|
| 1 | 21 APR 15 | AMJ | REMOVED WALLS 1,3,4 & 5; REVISED WALL 2; QUANTITY CHARTS AND SOME DETAILS; UPDATED SPIRALNAIL LENGTHS |
| 2 | 28 APR 15 | AMJ | PLACE SPIRALNAIL LENGTHS ON WALLS |



PROJ. MGR.
BH
ENGINEER
CADD BY
AMJ

HILFIKER RETAINING WALLS

1902
QUALITY PRODUCTS

1902 Hilfiker Lane
Eureka, CA 95503-5711
TOLL-FREE 800.762.8962
PH 707.443.5093 FAX 707.443.2891
WEBSITE www.hilfiker.com E-MAIL info@hilfiker.com

DWG DATE
6 OCT 14
REVISION DATE
28 APR 15
SCALE
NOTED

ENGINEERED SUBMITTAL

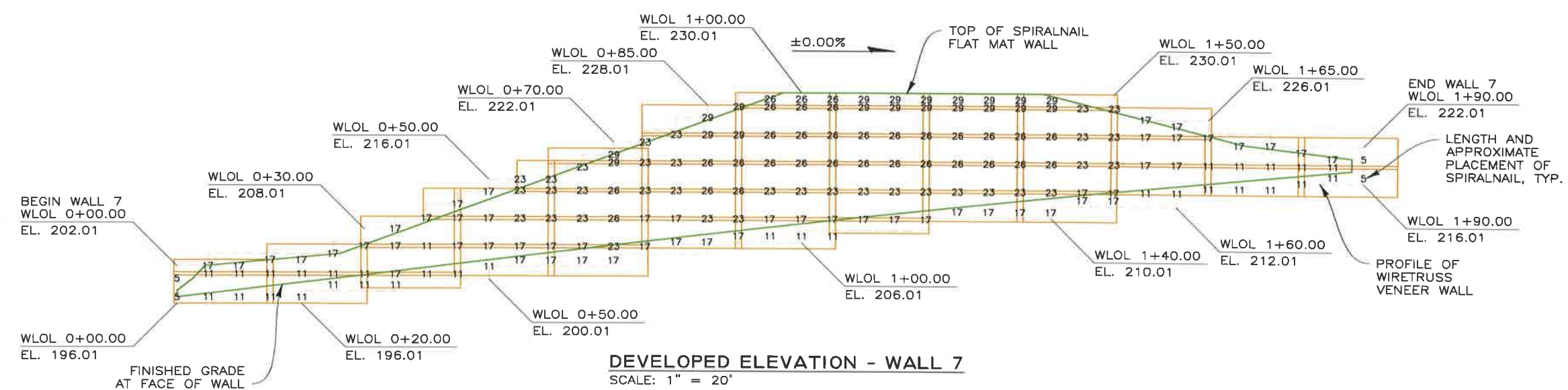
WIRETRUSS VENEER
WESTRIDGE
SPRINGHILL CONSTRUCTION, LLC
EDGEWOOD, WASHINGTON

WALL VIEWS - WALL 2 CONT'D

PROJECT NO.
140827AN
SHEET
3
OF 13

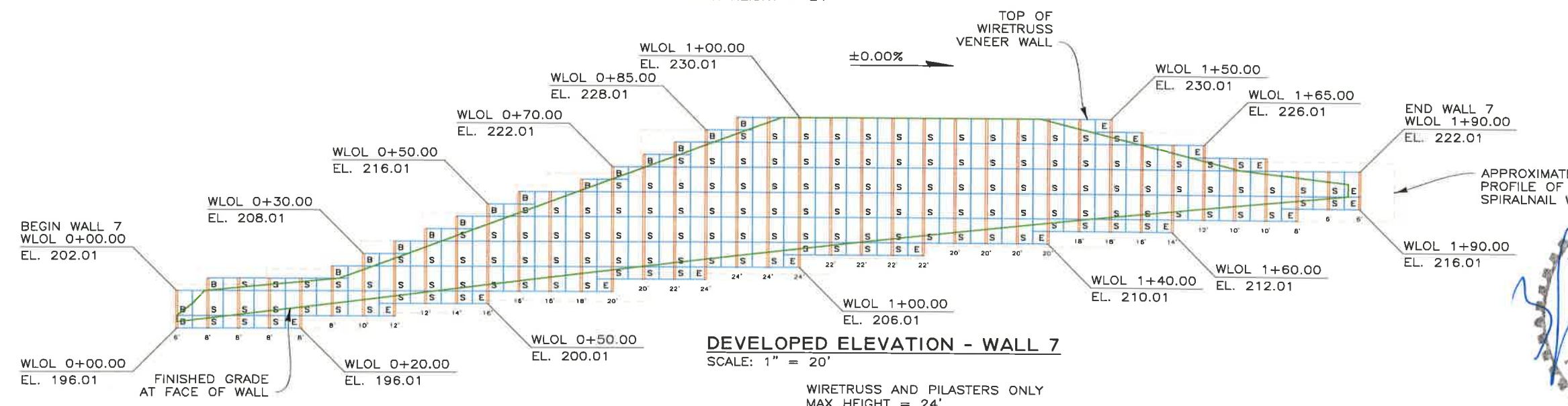


PLAN VIEW - WALL 7
SCALE: 1" = 20'



DEVELOPED ELEVATION - WALL 7
SCALE: 1" = 20'

FLAT MATS AND SPIRALNAILS ONLY
MAX HEIGHT = 24'



DEVELOPED ELEVATION - WALL 7
SCALE: 1" = 20'

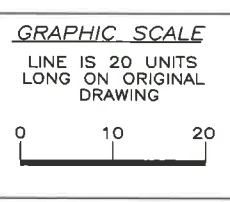
WIRETRUSS AND PILASTERS ONLY
MAX HEIGHT = 24'



140027AN WESTRIDGE

THIS DRAWING IS FURNISHED SOLELY FOR THE USE OF OR IN CONNECTION WITH THIS PROJECT AND THE PROPRIETARY INFORMATION SHOWN HEREON IS NOT TO BE TRANSMITTED TO ANY OTHER ORGANIZATION WITHOUT SPECIFIC AUTHORIZATION BY THE HILFIKER COMPANY. HILFIKER RETAINING WALLS ARE PROTECTED BY ONE OR MORE OF THE FOLLOWING PATENTS: 243,613; 243,697; 288,616; 4,117,686; 4,329,089; 4,324,508; 4,391,557; 4,505,621; 4,343,318; 4,661,023; 4,856,939; 4,929,125; 5,076,735; 5,647,695; 5,722,799; 5,733,072; 6,357,970B1; 6,874,975B2; 7,033,118B2; AND OTHERS. OTHER PATENTS PENDING (2008)

| REV. NO. | DATE | BY | DESCRIPTION |
|----------|-----------|-----|---|
| 1 | 21 APR 15 | AMJ | REMOVED WALLS 1,3,4 & 5; REVISED WALL 2, QUANTITY CHARTS AND SOME DETAILS; UPDATED SPIRALNAIL LENGTHS |
| 2 | 28 APR 15 | AMJ | PLACE SPIRALNAIL LENGTHS ON WALLS |



PROJ. MGR. BH
ENGINEER
CADD BY AMJ

HILFIKER RETAINING WALLS

1902 Hilfiker Lane
Eureka, CA 95503-5711
TOLL-FREE 800.762.8962
PH 707.443.5093 FAX 707.443.2891
WEBSITE www.hilfiker.com E-MAIL info@hilfiker.com

SINCE 1902
QUALITY PRODUCTS

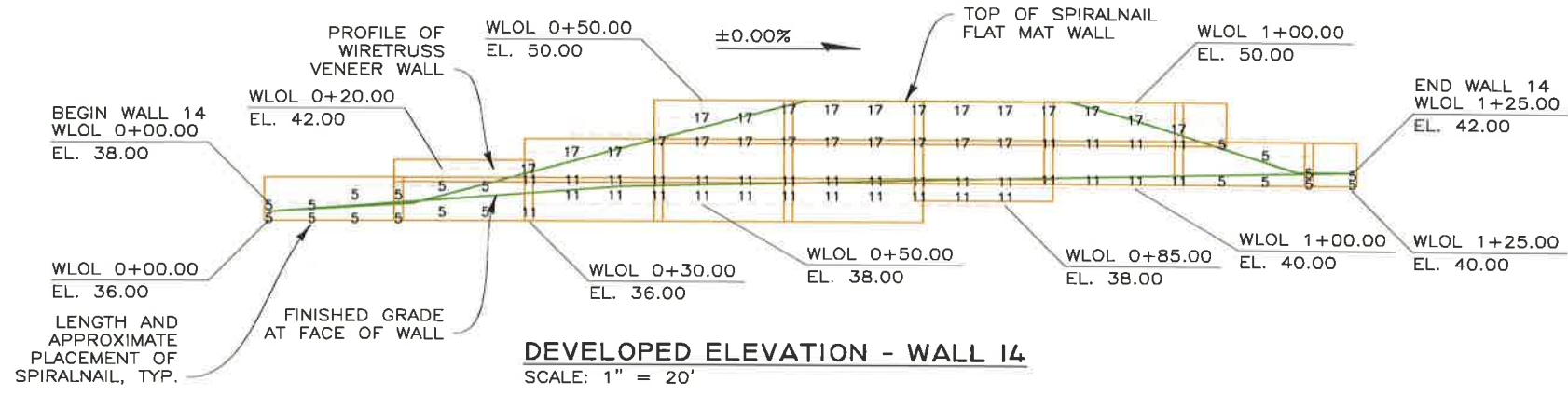
DWG DATE 6 OCT 14
REVISION DATE 28 APR 15
SCALE NOTED

ENGINEERED SUBMITTAL
WIRETRUSS VENEER
WESTRIDGE
SPRINGHILL CONSTRUCTION, LLC
EDGEWOOD, WASHINGTON
WALL VIEWS - WALL 7

PROJECT NO. 140827AN
SHEET 4
OF 13

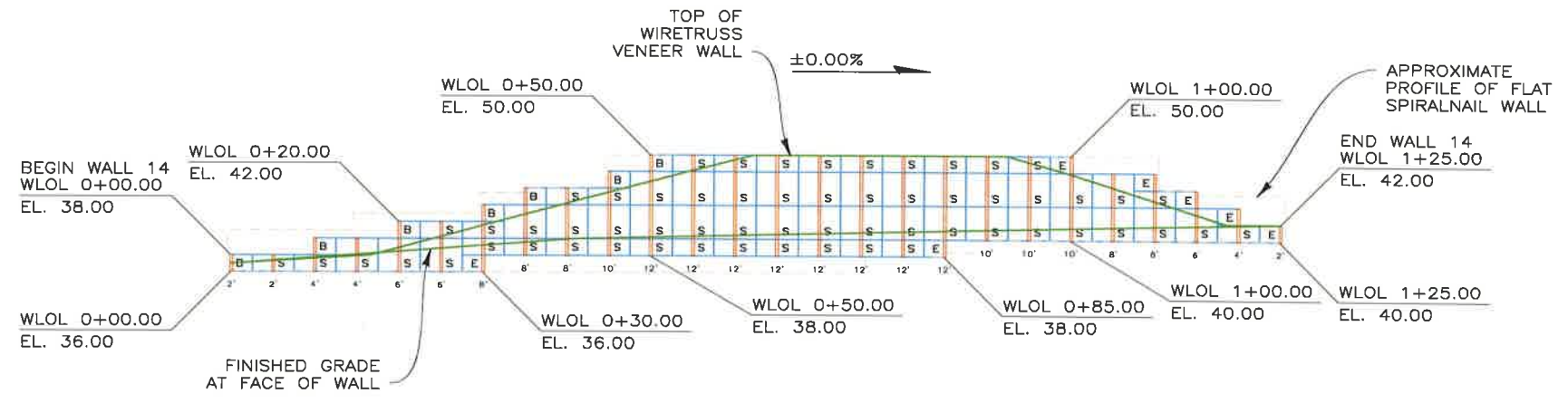


PLAN VIEW - WALL 14
SCALE: 1" = 20'



DEVELOPED ELEVATION - WALL 14
SCALE: 1" = 20'

FLAT MATS AND SPIRALNAILS ONLY
MAX HEIGHT = 12'



DEVELOPED ELEVATION - WALL 14
SCALE: 1" = 20'

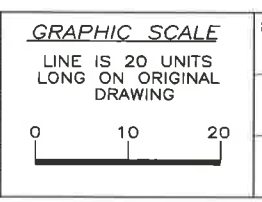
WIRETRUSS AND PILASTERS ONLY
MAX HEIGHT = 12'



140827AN WESTRIDGE

THIS DRAWING IS FURNISHED SOLELY FOR THE USE OF OR IN CONNECTION WITH THIS PROJECT AND THE PROPRIETARY INFORMATION SHOWN HEREON IS NOT TO BE TRANSMITTED TO ANY OTHER ORGANIZATION WITHOUT SPECIFIC AUTHORIZATION BY THE HILFIKER COMPANY. HILFIKER RETAINING WALLS ARE PROTECTED BY ONE OR MORE OF THE FOLLOWING PATENTS: 243,613; 243,697; 288,616; 4,117,886; 4,329,089; 4,324,568; 4,391,557; 4,505,621; 4,343,318; 4,661,023; 4,856,838; 4,929,125; 5,076,735; 5,647,695; 5,722,799; 5,733,072; 6,357,970B1; 6,874,975B2; 7,033,118B2; AND OTHERS. OTHER PATENTS PENDING (2008)

| REV. NO. | DATE | BY | DESCRIPTION |
|----------|-----------|-----|---|
| 1 | 21 APR 15 | AMJ | REMOVED WALLS 1,3,4 & 5; REVISED WALL 2, QUANTITY CHARTS AND SOME DETAILS; UPDATED SPIRALNAIL LENGTHS |
| 2 | 28 APR 15 | AMJ | PLACE SPIRALNAIL LENGTHS ON WALLS |



PROJ. MGR. BH
ENGINEER
CADD BY AMJ

HILFIKER RETAINING WALLS

1902 SINCE 1902 QUALITY PRODUCTS

1902 Hilfiker Lane
Eureka, CA 95503-5711
TOLL-FREE 800.762.8962
PH 707.443.5093 FAX 707.443.2891
WEB SITE www.hilfiker.com E-MAIL info@hilfiker.com

DWG DATE 6 OCT 14
REVISION DATE 28 APR 15
SCALE NOTED

| ENGINEERED SUBMITTAL | |
|--|--|
| WIRETRUSS VENEER | |
| WESTRIDGE | |
| SPRINGHILL CONSTRUCTION, LLC EDGEWOOD, WASHINGTON | |
| WALL VIEWS - WALL 14 | |

PROJECT NO. 140827AN
SHEET 5 OF 13

BEGIN ENTRY WALL
WLOL 0+00.00

MATCH LINE A-A
WLOL 1+97.50



ANGLE POINT
WLOL 1+27.50

PLAN VIEW - WALL 15
SCALE: 1" = 20'

MATCH LINE A-A
WLOL 1+97.50

END ENTRY WALL
WLOL 4+20.00



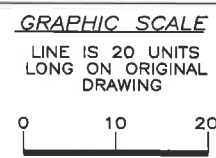
PLAN VIEW - WALL 15 CONT'D
SCALE: 1" = 20'



140827AN WESTRIDGE

THIS DRAWING IS FURNISHED SOLELY FOR THE USE OF OR IN CONNECTION WITH THIS PROJECT AND THE PROPRIETARY INFORMATION SHOWN HEREON IS NOT TO BE TRANSMITTED TO ANY OTHER ORGANIZATION WITHOUT SPECIFIC AUTHORIZATION BY THE HILFIKER COMPANY. HILFIKER RETAINING WALLS ARE PROTECTED BY ONE OR MORE OF THE FOLLOWING PATENTS: 243,613; 243,697; 288,616; 4,117,686; 4,329,089; 4,324,508; 4,391,557; 4,505,621; 4,343,318; 4,661,023; 4,856,939; 4,929,125; 5,076,735; 5,647,695; 5,722,799; 5,733,072; 6,357,970B1; 6,874,975B2; 7,033,118B2; AND OTHERS. OTHER PATENTS PENDING (2008)

| REV. NO. | DATE | BY | DESCRIPTION |
|----------|-----------|-----|---|
| 1 | 21 APR 15 | AMJ | REMOVED WALLS 1,3,4 & 5; REVISED WALL 2, QUANTITY CHARTS AND SOME DETAILS; UPDATED SPIRALNAIL LENGTHS |
| 2 | 28 APR 15 | AMJ | PLACE SPIRALNAIL LENGTHS ON WALLS |



PROJ. MGR.
BH
ENGINEER
CADD BY
AMJ

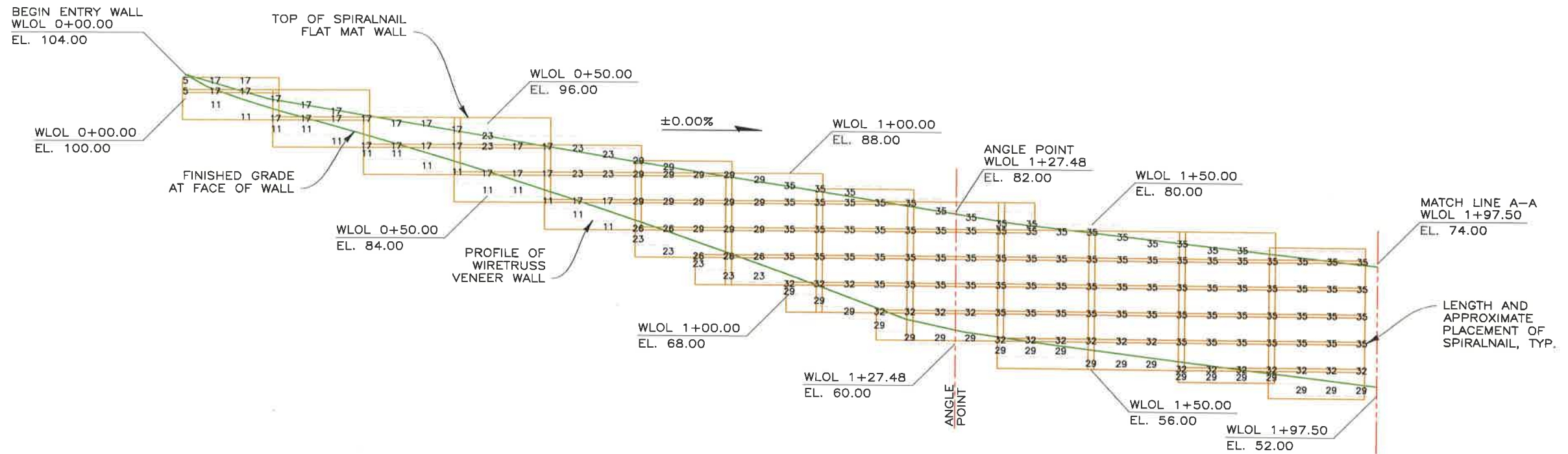
HILFIKER RETAINING WALLS

1902 Hilfiker Lane
Eureka, CA 95503-5711
TOLL-FREE 800.762.8962
PH 707.443.5093 FAX 707.443.2891
WEBSITE www.hilfiker.com E-MAIL info@hilfiker.com

DWG DATE
6 OCT 14
REVISION DATE
28 APR 15
SCALE
NOTED

ENGINEERED SUBMITTAL
WIRETRUSS VENEER
WESTRIDGE
SPRINGHILL CONSTRUCTION, LLC
EDGEWOOD, WASHINGTON
PLAN VIEW - WALL 15

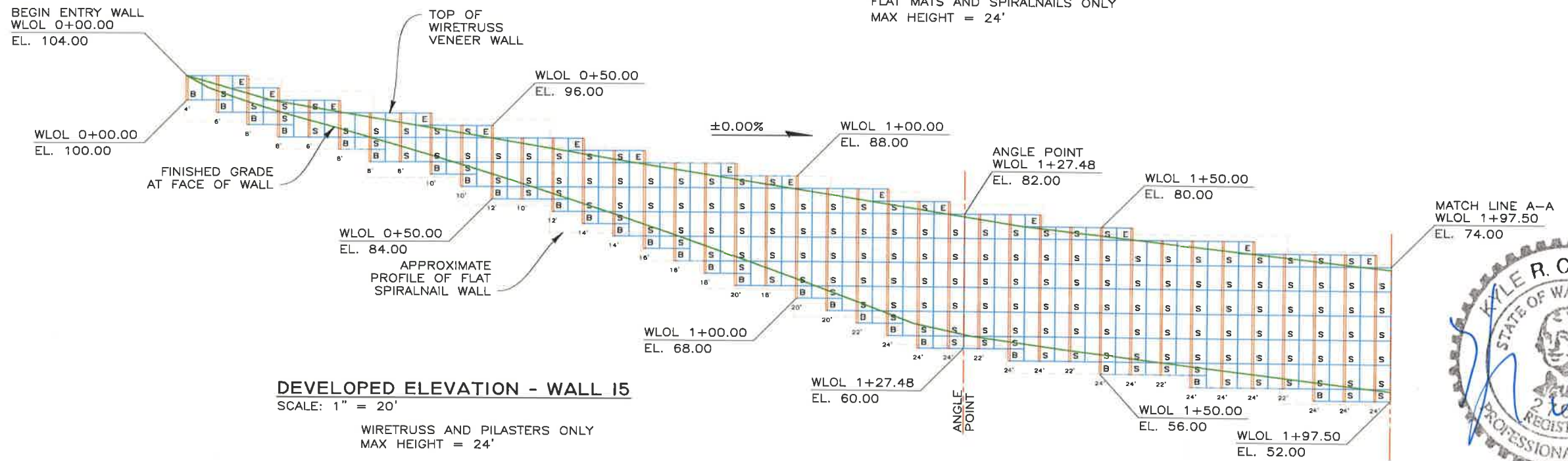
PROJECT NO.
140827AN
SHEET
6
OF 13



DEVELOPED ELEVATION - WALL 15

SCALE: 1" = 20'

FLAT MATS AND SPIRALNAILS ONLY
MAX HEIGHT = 24'



DEVELOPED ELEVATION - WALL 15

SCALE: 1" = 20'

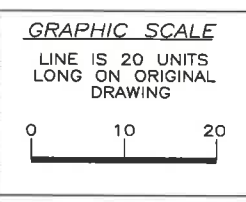
WIRETRUSS AND PILASTERS ONLY
MAX HEIGHT = 24'



140827AN WESTRIDGE

THIS DRAWING IS FURNISHED SOLELY FOR THE USE OF OR IN CONNECTION WITH THIS PROJECT AND THE PROPRIETARY INFORMATION SHOWN HEREON IS NOT TO BE TRANSMITTED TO ANY OTHER ORGANIZATION WITHOUT SPECIFIC AUTHORIZATION BY THE HILFIKER COMPANY. HILFIKER RETAINING WALLS ARE PROTECTED BY ONE OR MORE OF THE FOLLOWING PATENTS: 243,613; 243,697; 288,616; 4,117,686; 4,329,089; 4,324,508; 4,391,557; 4,505,821; 4,343,318; 4,661,023; 4,856,939; 4,929,125; 5,076,735; 5,647,895; 5,722,799; 5,733,072; 6,357,970B1; 6,874,975B2; 7,033,118B2; AND OTHERS. OTHER PATENTS PENDING (2008)

| REV. NO. | DATE | BY | DESCRIPTION |
|----------|-----------|-----|---|
| 1 | 21 APR 15 | AMJ | REMOVED WALLS 1,3,4 & 5; REVISED WALL 2, QUANTITY CHARTS AND SOME DETAILS; UPDATED SPIRALNAIL LENGTHS |
| 2 | 28 APR 15 | AMJ | PLACE SPIRALNAIL LENGTHS ON WALLS |



PROJ. MGR.
BH
ENGINEER
CADD BY
AMJ

HILFIKER RETAINING WALLS

1902 Hilfiker Lane
Eureka, CA 95503-5711
TOLL-FREE 800.762.8962
PH 707.443.5093 FAX 707.443.2891
WEB SITE www.hilfiker.com E-MAIL info@hilfiker.com

DWG DATE
6 OCT 14
REVISION DATE
28 APR 15
SCALE
NOTED

ENGINEERED SUBMITTAL
WIRETRUSS VENEER
WESTRIDGE
SPRINGHILL CONSTRUCTION, LLC
EDGEWOOD, WASHINGTON
DEVELOPED ELEVATIONS - WALL 15

PROJECT NO.
140827AN
SHEET
7
OF 13

WATCH LINE A-A
WLOL 1+97.50
EL. 74.00

LENGTH AND APPROXIMATE PLACEMENT OF SPIRALNAIL, TYP.

WLOL 2+00.00
EL. 50.00

PROFILE OF WIRETRUSS VENEER WALL

WLOL 2+50.00
EL. 46.00

FINISHED GRADE AT FACE OF WALL

WLOL 2+50.00
EL. 66.00

WLOL 3+00.00
EL. 42.00

±0.00%

TOP OF SPIRALNAIL FLAT MAT WALL

WLOL 3+00.00
EL. 54.00

WLOL 3+50.00
EL. 52.00

WLOL 4+00.00
EL. 46.00

END ENTRY WALL
WLOL 4+20.00
EL. 40.00

WLOL 3+50.00
EL. 38.00

WLOL 4+00.00
EL. 38.00

WLOL 4+20.00
EL. 38.00

DEVELOPED ELEVATION - WALL 15 CONT'D

SCALE: 1" = 20'

FLAT MATS AND SPIRALNAILS ONLY
MAX HEIGHT = 24'

WATCH LINE A-A
WLOL 1+97.50
EL. 74.00

WLOL 2+00.00
EL. 50.00

WLOL 2+50.00
EL. 46.00

FINISHED GRADE AT FACE OF WALL

WLOL 2+50.00
EL. 66.00

WLOL 3+00.00
EL. 42.00

APPROXIMATE PROFILE OF FLAT SPIRALNAIL WALL

WLOL 3+00.00
EL. 54.00

±0.00%

WLOL 3+50.00
EL. 52.00

PROFILE OF FLAT SPIRALNAIL WALL

WLOL 4+00.00
EL. 46.00

END ENTRY WALL
WLOL 4+20.00
EL. 40.00

WLOL 3+50.00
EL. 38.00

WLOL 4+00.00
EL. 38.00

WLOL 4+20.00
EL. 38.00

DEVELOPED ELEVATION - WALL 15 CONT'D

SCALE: 1" = 20'

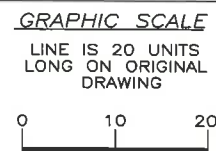
WIRETRUSS AND PILASTERS ONLY
MAX HEIGHT = 24'



140827AN WESTRIDGE

THIS DRAWING IS FURNISHED SOLELY FOR THE USE OF OR IN CONNECTION WITH THIS PROJECT AND THE PROPRIETARY INFORMATION SHOWN HEREON IS NOT TO BE TRANSMITTED TO ANY OTHER ORGANIZATION WITHOUT SPECIFIC AUTHORIZATION BY THE HILFIKER COMPANY. HILFIKER RETAINING WALLS ARE PROTECTED BY ONE OR MORE OF THE FOLLOWING PATENTS: 243,613; 243,697; 286,616; 4,117,686; 4,329,089; 4,374,508; 4,391,557; 4,505,621; 4,343,318; 4,661,923; 4,856,939; 4,929,125; 5,076,735; 5,647,695; 5,722,799; 5,733,072; 6,357,970B1; 6,874,975B2; 7,033,118B2; AND OTHERS. OTHER PATENTS PENDING (2008)

| REV. NO. | DATE | BY | DESCRIPTION |
|----------|-----------|-----|---|
| 1 | 21 APR 15 | AMJ | REMOVED WALLS 1,3,4 & 5; REVISED WALL 2, QUANTITY CHARTS AND SOME DETAILS; UPDATED SPIRALNAIL LENGTHS |
| 2 | 28 APR 15 | AMJ | PLACE SPIRALNAIL LENGTHS ON WALLS |



PROJ. MGR.
BH
ENGINEER
CADD BY
AMJ

HILFIKER RETAINING WALLS

1902 SINCE QUALITY PRODUCTS

1902 Hilfiker Lane
Eureka, CA 95503-5711
TOLL-FREE 800.762.8962
PH 707.443.5093 FAX 707.443.2891
WEB SITE www.hilfiker.com E-MAIL info@hilfiker.com

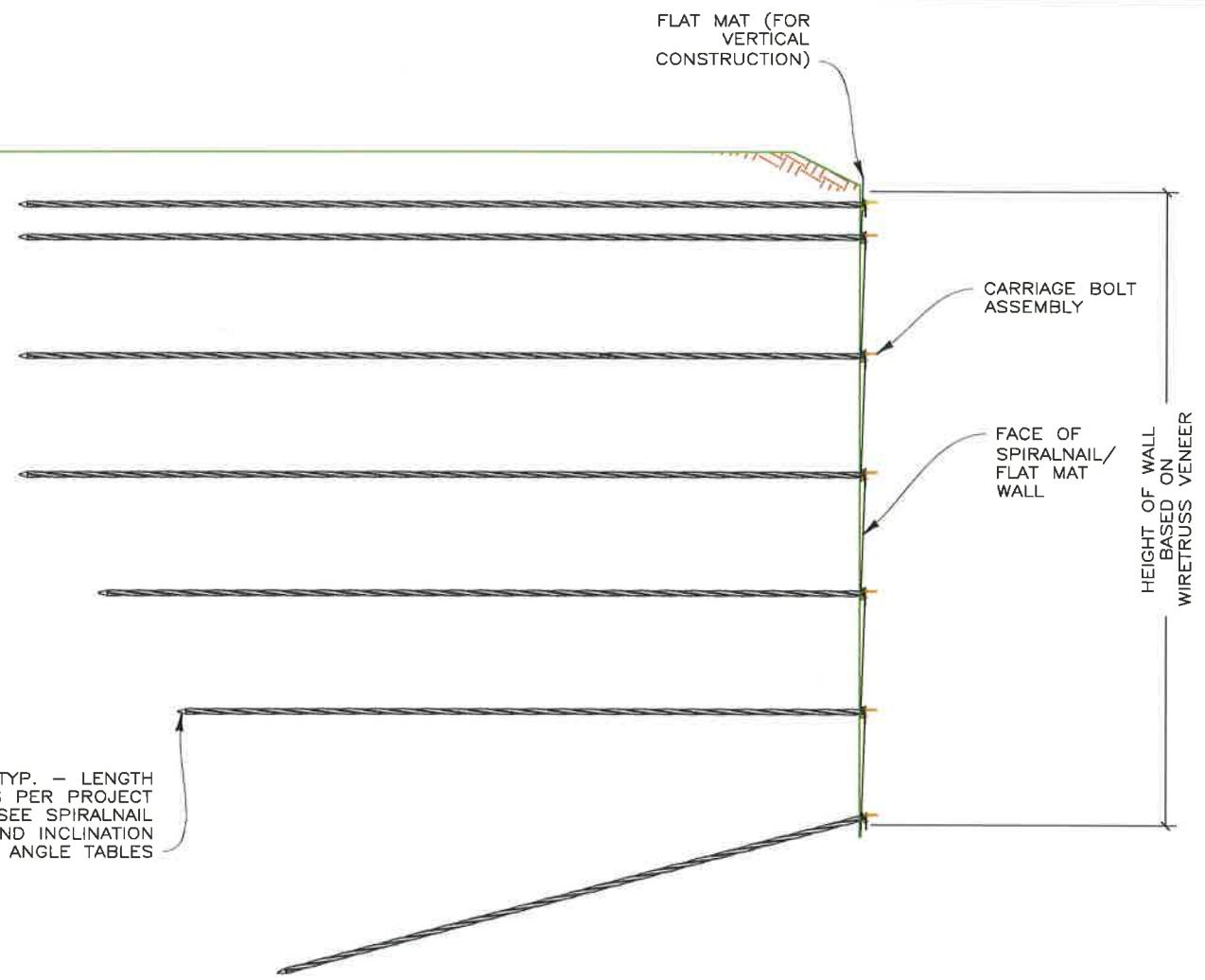
DWG DATE
6 OCT 14
REVISION DATE
28 APR 15
SCALE
NOTED

ENGINEERED SUBMITTAL
WIRETRUSS VENEER
WESTRIDGE
SPRINGHILL CONSTRUCTION, LLC
EDGEWOOD, WASHINGTON
DEVELOPED ELEVATIONS-WALL 15 CONT'D

PROJECT NO.
140827AN
SHEET
8
OF 13

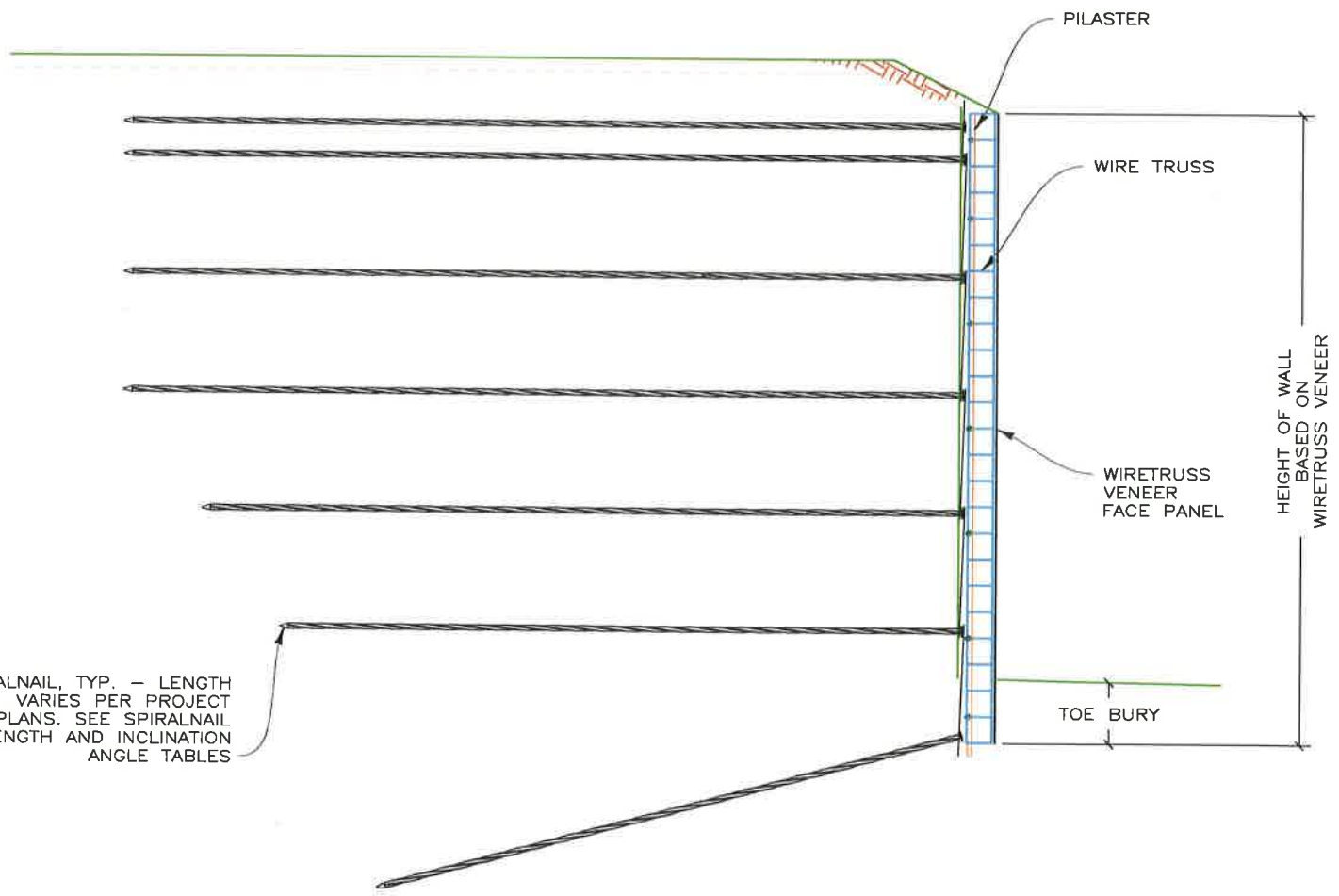


SPIRALNAIL, TYP. - LENGTH VARIES PER PROJECT PLANS. SEE SPIRALNAIL LENGTH AND INCLINATION ANGLE TABLES



TYPICAL SECTION - SPIRALNAIL/FLAT MAT WALL
SCALE: 3" = 20'

SPIRALNAIL, TYP. - LENGTH VARIES PER PROJECT PLANS. SEE SPIRALNAIL LENGTH AND INCLINATION ANGLE TABLES

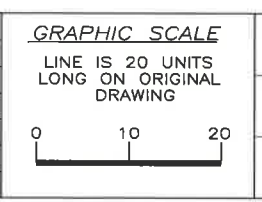


TYPICAL SECTION - WIRETRUSS VENEER WALL
SCALE: 3" = 20'

140827AN WESTRIDGE

THIS DRAWING IS FURNISHED SOLELY FOR THE USE OF OR IN CONNECTION WITH THIS PROJECT AND THE PROPRIETARY INFORMATION SHOWN HEREON IS NOT TO BE TRANSMITTED TO ANY OTHER ORGANIZATION WITHOUT SPECIFIC AUTHORIZATION BY THE HILFIKER COMPANY. HILFIKER RETAINING WALLS ARE PROTECTED BY ONE OR MORE OF THE FOLLOWING PATENTS: 243,613; 243,697; 288,616; 4,117,686; 4,329,089; 4,324,508; 4,381,557; 4,505,621; 4,343,318; 4,661,023; 4,850,939; 4,929,125; 5,076,735; 5,647,699; 5,722,799; 5,733,072; 5,357,970B1; 6,874,975B2; 7,033,118B2; AND OTHERS. OTHER PATENTS PENDING (2008)

| REV. NO. | DATE | BY | DESCRIPTION |
|----------|-----------|-----|---|
| 1 | 21 APR 15 | AMJ | REMOVED WALLS 1,3,4 & 5; REVISED WALL 2, QUANTITY CHARTS AND SOME DETAILS; UPDATED SPIRALNAIL LENGTHS |
| 2 | 28 APR 15 | AMJ | PLACE SPIRALNAIL LENGTHS ON WALLS |



PROJ. MGR.
BH
ENGINEER
CADD BY
AMJ

HILFIKER RETAINING WALLS

1902 Hilfiker Lane
Eureka, CA 95503-5711
TOLL-FREE 800.762.8962
PH 707.443.5093 FAX 707.443.2891
WEBSITE www.hilfiker.com E-MAIL info@hilfiker.com

DWG DATE
6 OCT 14
REVISION DATE
28 APR 15
SCALE
NOTED

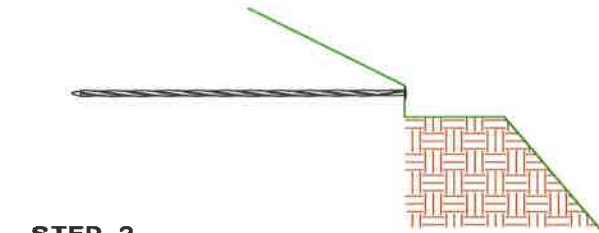
ENGINEERED SUBMITTAL

WIRETRUSS VENEER
WESTRIDGE
SPRINGHILL CONSTRUCTION, LLC
EDGEWOOD, WASHINGTON

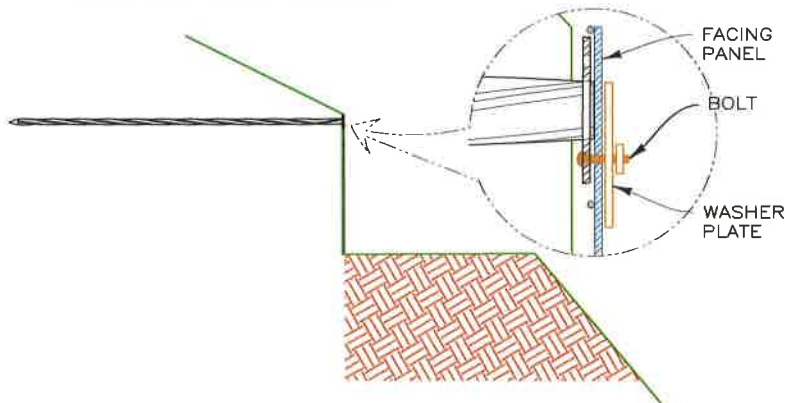
TYPICAL SECTION

PROJECT NO.
140827AN
SHEET
9
OF 13

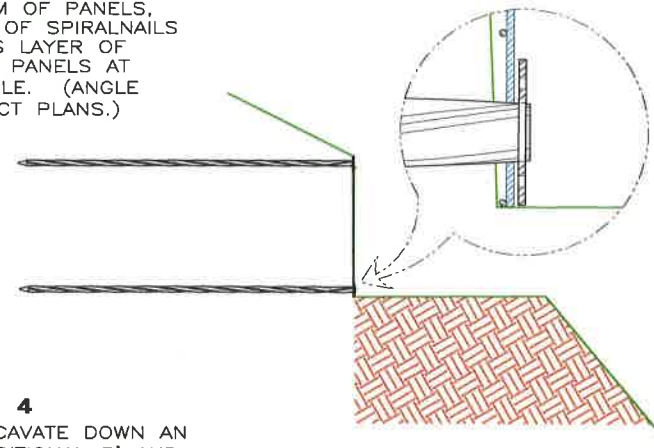
STEP 1
EXCAVATE TOP OF WALL AND DRIVE FIRST LAYER OF SPIRALNAILS USING HILFIKER SPIRALNAIL HAMMER



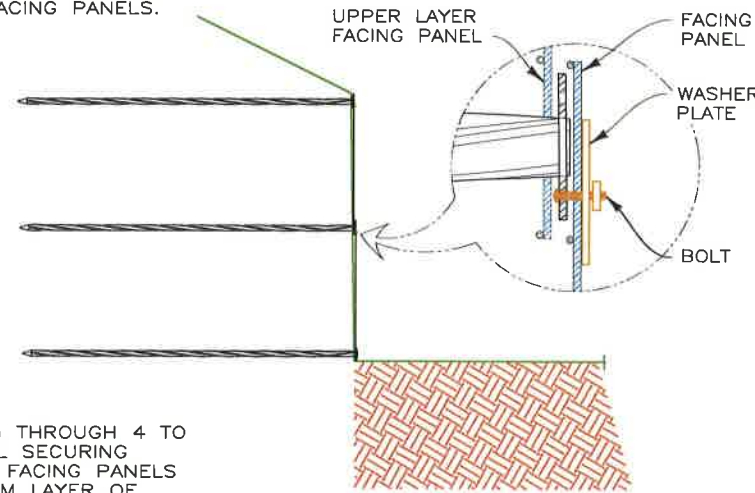
STEP 2
EXCAVATE DOWN 5' AND PLACE LAYER OF FACING PANELS. ATTACH TOP OF FACING PANELS TO PREVIOUS LAYER OF SPIRALNAIL HEADS WITH BOLTS AND PLATE WASHERS.



STEP 3
TO SECURE BOTTOM OF PANELS, DRIVE NEXT LAYER OF SPIRALNAILS THROUGH PREVIOUS LAYER OF WIRE MESH FACING PANELS AT THE REQUIRED ANGLE. (ANGLE VARIES PER PROJECT PLANS.)

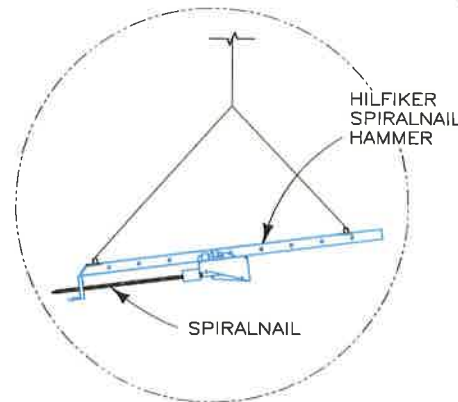
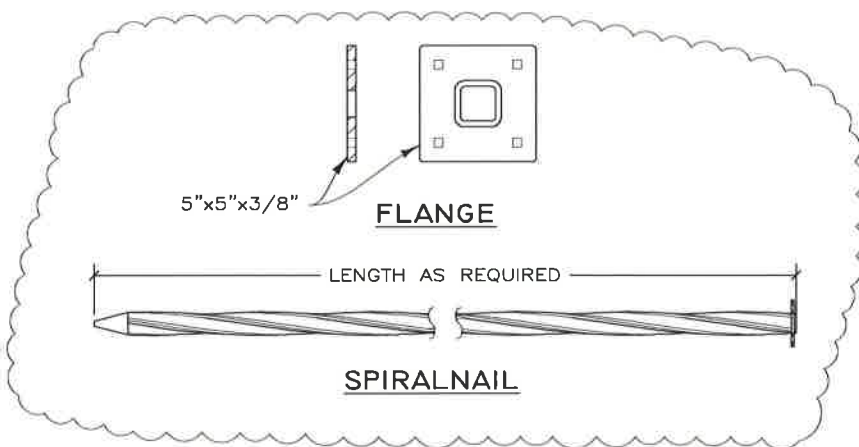


STEP 4
EXCAVATE DOWN AN ADDITIONAL 5' AND PLACE ANOTHER LAYER OF FACING PANELS.

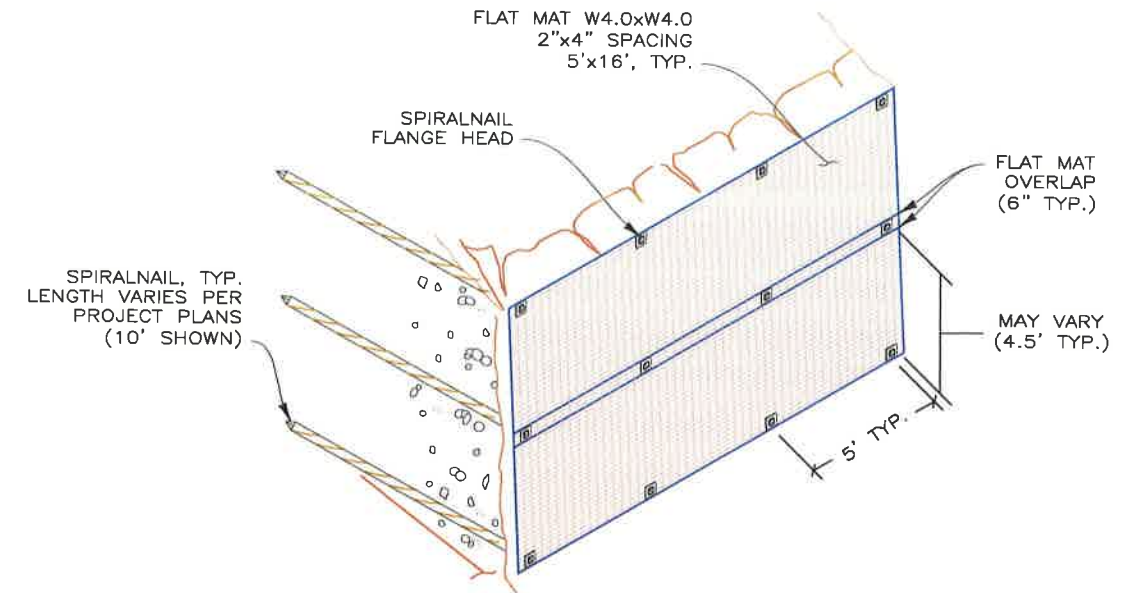


STEP 5
REPEAT STEPS 3 THROUGH 4 TO BOTTOM OF WALL SECURING FINAL LAYER OF FACING PANELS WITH THE BOTTOM LAYER OF SPIRALNAILS.

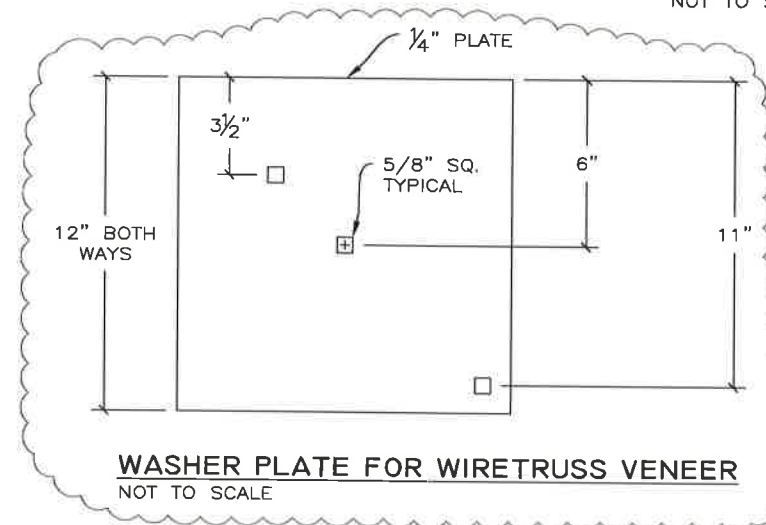
TOP DOWN SPIRALNAIL CONSTRUCTION SEQUENCE



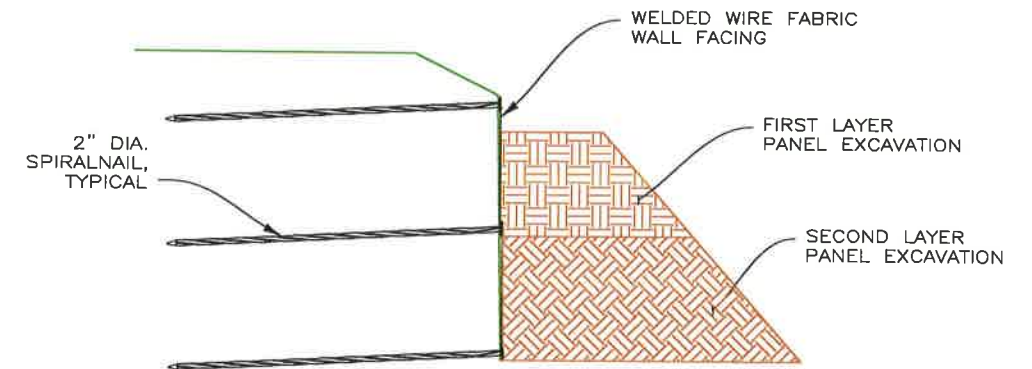
HILFIKER SPIRALNAIL HAMMER
NOT TO SCALE



PICTORIAL ELEVATION
NOT TO SCALE



WASHER PLATE FOR WIRETRUSS VENEER
NOT TO SCALE

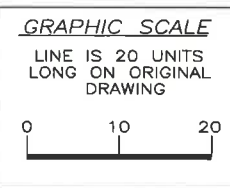


VERTICAL EXCAVATION DETAIL
SCALE: 3"=20'

140827AN WESTRIDGE

THIS DRAWING IS FURNISHED SOLELY FOR THE USE OF OR IN CONNECTION WITH THIS PROJECT AND THE PROPRIETARY INFORMATION SHOWN HEREON IS NOT TO BE TRANSMITTED TO ANY OTHER ORGANIZATION WITHOUT SPECIFIC AUTHORIZATION BY THE HILFIKER COMPANY. HILFIKER RETAINING WALLS ARE PROTECTED BY ONE OR MORE OF THE FOLLOWING PATENTS: 243,613; 243,697; 268,616; 4,117,686; 4,329,687; 4,324,508; 4,391,527; 4,505,621; 4,343,318; 4,661,023; 4,856,939; 4,929,125; 5,076,735; 5,647,695; 5,722,799; 5,733,072; 6,357,979B1; 6,874,975B2; 7,033,118B2; AND OTHERS. OTHER PATENTS PENDING (2008)

| REV. NO. | DATE | BY | DESCRIPTION |
|----------|-----------|-----|---|
| 1 | 21 APR 15 | AMJ | REMOVED WALLS 1,3,4 & 5; REVISED WALL 2, QUANTITY CHARTS AND SOME DETAILS; UPDATED SPIRALNAIL LENGTHS |
| 2 | 28 APR 15 | AMJ | PLACE SPIRALNAIL LENGTHS ON WALLS |



PROJ. MGR. BH
ENGINEER
CADD BY AMJ

HILFIKER RETAINING WALLS

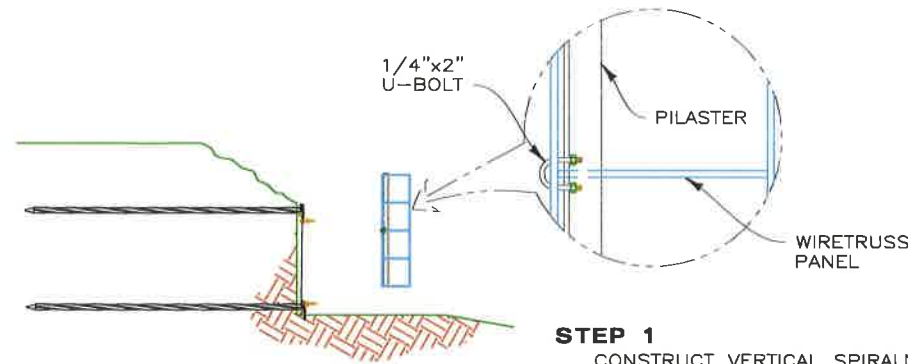
1902 Hilfiaker Lane
Eureka, CA 95503-5711
TOLL-FREE 800.762.8962
PH 707.443.5093 FAX 707.443.2891
© WEBSITE www.hilfiaker.com E-MAIL info@hilfiaker.com

SINCE 1902
QUALITY WALLS

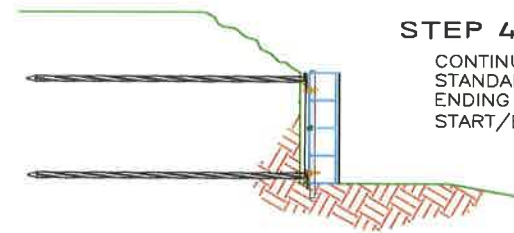
DWG DATE 6 OCT 14
REVISION DATE 28 APR 15
SCALE NOTED

ENGINEERED SUBMITTAL
WIRETRUSS VENEER
WESTRIDGE
SPRINGHILL CONSTRUCTION, LLC
EDGEWOOD, WASHINGTON
SPIRALNAIL/FLAT MAT CONSTRUCTION SEQUENCE

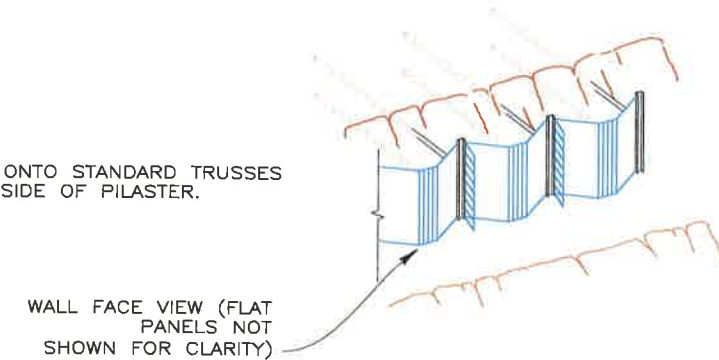
PROJECT NO. 140827AN
SHEET 10 OF 13



STEP 1
 CONSTRUCT VERTICAL SPIRALNAIL WALL FROM THE TOP DOWN ACCORDING TO PREVIOUS CONSTRUCTION SEQUENCE EXCEPT ADD WASHER PLATE ON THE BOTTOM LAYER OF SPIRALNAILS WITHOUT ADDING ANOTHER FLAT MAT LAYER
 ATTACH WIRETRUSS PANEL TO BACK OF PILASTER WITH U-BOLT USING FACTORY DRILLED HOLES. DETAIL, THIS SHEET.

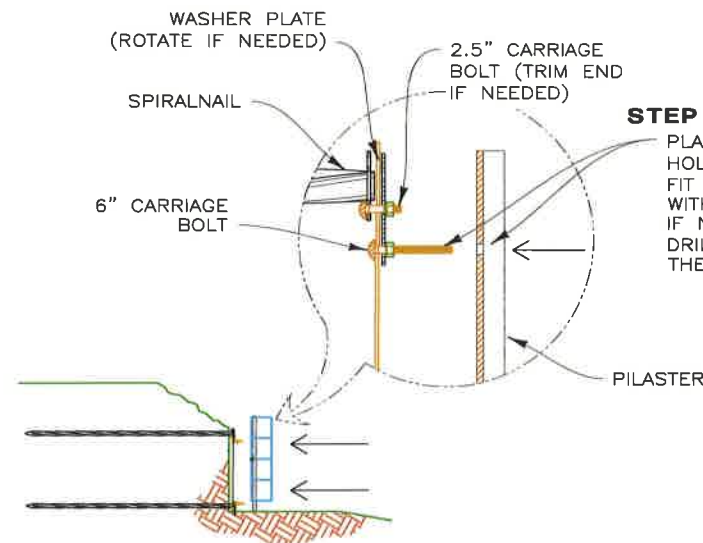


STEP 4
 CONTINUE ADDING PILASTERS AND STANDARD TRUSSES ALONG WALL ENDING AT FINAL PILASTER WITH A START/END TRUSS

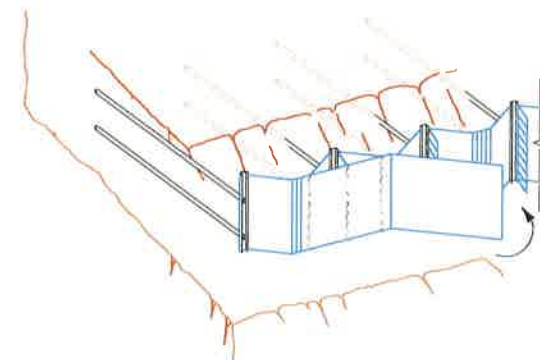


STEP 5
 SPIRAL STIFFENERS ONTO STANDARD TRUSSES AT WIRE ON RIGHT SIDE OF PILASTER.

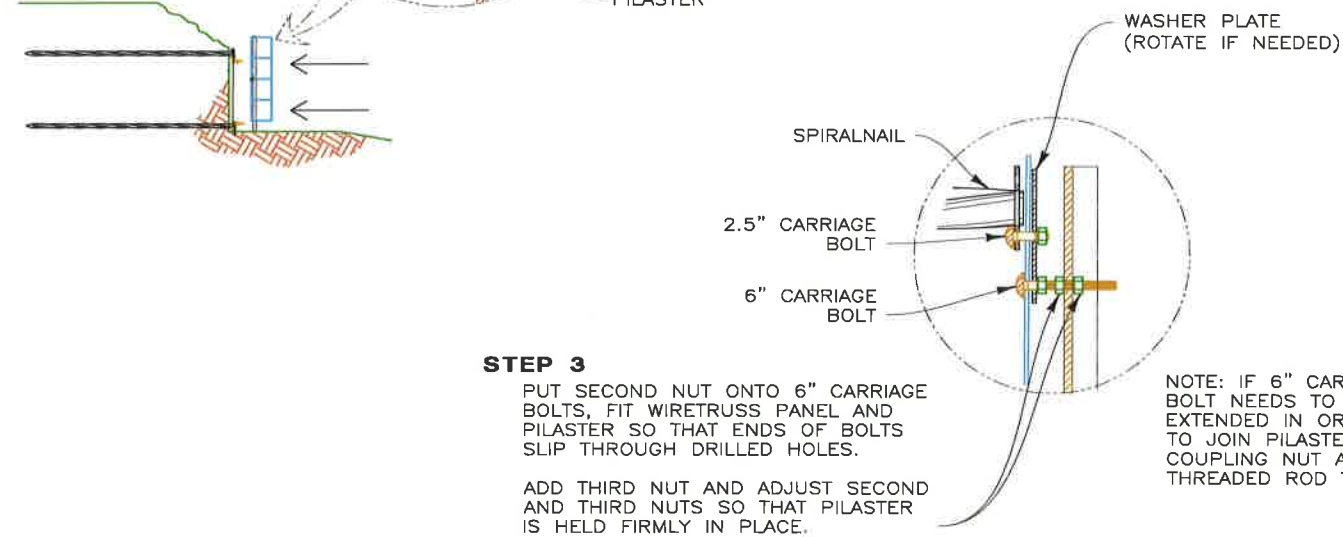
WALL FACE VIEW (FLAT PANELS NOT SHOWN FOR CLARITY)



STEP 2
 PLACE 6" CARRIAGE BOLT THROUGH HOLE IN 8" WASHER PLATE FOR BEST FIT TO ALIGN 6" CARRIAGE BOLTS WITH PILASTER. ROTATE WASHER PLATE IF NEEDED FOR BETTER ALIGNMENT. DRILL 9/16" HOLE IN PILASTER FOR THE CARRIAGE BOLTS.



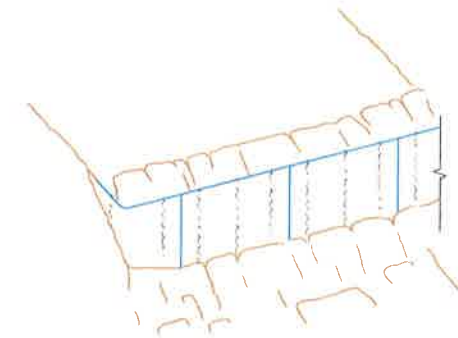
STEP 6
 TO BEGIN FACING THE WALL, CENTER EDGES OF A FACING PANEL ON TRUSS OVERLAP. SPIRAL THE ENDS OF OVERLAP AND THE STIFFENER TO FACE PANEL.
 INSERT PRONGS OF SUBSEQUENT FACE PANELS BEHIND FINAL TRANSVERSE WIRE ON PREVIOUS FACING AND ROTATE INTO PLACE TO FORM INTERLOCKING CONNECTION. SEE ENLARGED DETAIL.



STEP 3
 PUT SECOND NUT ONTO 6" CARRIAGE BOLTS, FIT WIRETRUSS PANEL AND PILASTER SO THAT ENDS OF BOLTS SLIP THROUGH DRILLED HOLES.
 ADD THIRD NUT AND ADJUST SECOND AND THIRD NUTS SO THAT PILASTER IS HELD FIRMLY IN PLACE.

NOTE: IF 6" CARRIAGE BOLT NEEDS TO BE EXTENDED IN ORDER TO JOIN PILASTER, USE COUPLING NUT AND THREADED ROD TO FIT.

STEP 7
 FOR CLOSURE FACING AT EACH END OF WALL, BEND FACING PANEL PER PROJECT PLANS AND INSERT END OF PANEL AGAINST PREVIOUS FACING. FIELD FIT OPPOSITE END AND TRIM AS NEEDED AGAINST SLOPE. SPIRAL FACING TO START/END TRUSS PANEL AND TO STIFFENER. SEE END OF WALL TREATMENT DETAIL, THIS SHEET.
 FILL AREA BEHIND WALL WITH BACKFILL PER PROJECT PLANS. COMPACT SOIL AGAINST FACE OF WALL FOR TOE BURY.

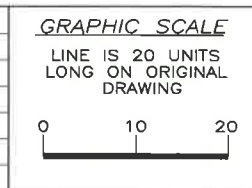


SPIRALNAIL WIRETRUSS VENEER CONSTRUCTION SEQUENCE

140827AN WESTRIDGE

THIS DRAWING IS FURNISHED SOLELY FOR THE USE OF OR IN CONNECTION WITH THIS PROJECT AND THE PROPRIETARY INFORMATION SHOWN HEREON IS NOT TO BE TRANSMITTED TO ANY OTHER ORGANIZATION WITHOUT SPECIFIC AUTHORIZATION BY THE HILFIKER COMPANY. HILFIKER RETAINING WALLS ARE PROTECTED BY ONE OR MORE OF THE FOLLOWING PATENTS: 243,613; 243,697; 288,616; 4,117,686; 4,329,089; 4,324,508; 4,381,557; 4,505,821; 4,343,318; 4,661,023; 4,856,939; 4,929,125; 5,076,735; 5,647,695; 5,722,799; 5,733,072; 6,357,970B1; 6,874,975B2; 7,033,118B2; AND OTHERS. OTHER PATENTS PENDING (2008)

| REV. NO. | DATE | BY | DESCRIPTION |
|----------|-----------|-----|---|
| 1 | 21 APR 15 | AMJ | REMOVED WALLS 1,3,4 & 5; REVISED WALL 2, QUANTITY CHARTS AND SOME DETAILS; UPDATED SPIRALNAIL LENGTHS |
| 2 | 28 APR 15 | AMJ | PLACE SPIRALNAIL LENGTHS ON WALLS |



PROJ. MGR. BH
 ENGINEER
 CADD BY AMJ

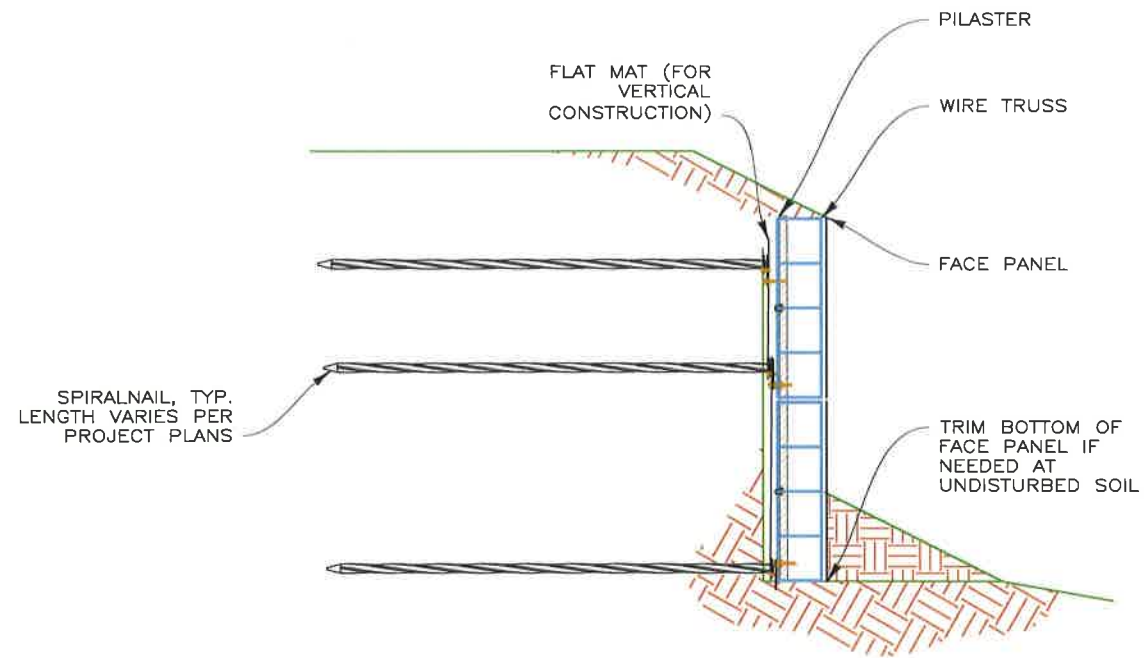
HILFIKER RETAINING WALLS

1902 Hilfiker Lane
 Eureka, CA 95503-5711
 TOLL-FREE 800.762.8962
 PH 707.443.5093 FAX 707.443.2891
 WEB SITE www.hilfiker.com E-MAIL info@hilfiker.com

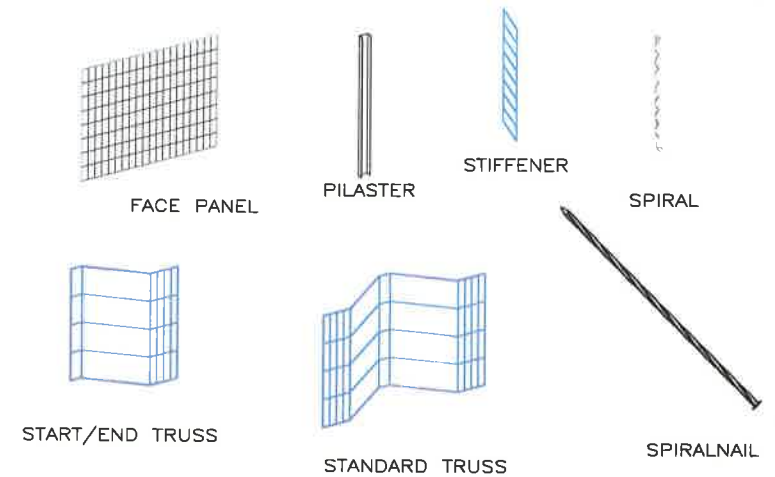
| | |
|---------------|-----------|
| DWG DATE | 6 OCT 14 |
| REVISION DATE | 28 APR 15 |
| SCALE | NOTED |

| |
|---------------------------------|
| ENGINEERED SUBMITTAL |
| WIRETRUSS VENEER |
| WESTRIDGE |
| SPRINGHILL CONSTRUCTION, LLC |
| EDGEWOOD, WASHINGTON |
| WIRETRUSS CONSTRUCTION SEQUENCE |

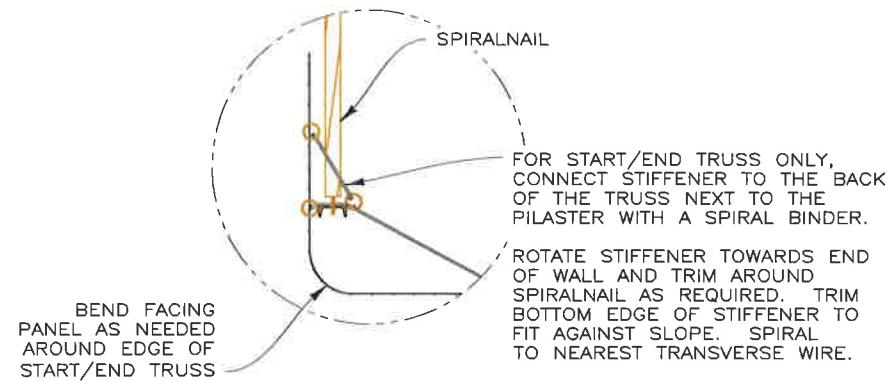
| | |
|-------------|----------|
| PROJECT NO. | 140827AN |
| SHEET | 11 |
| OF | 13 |



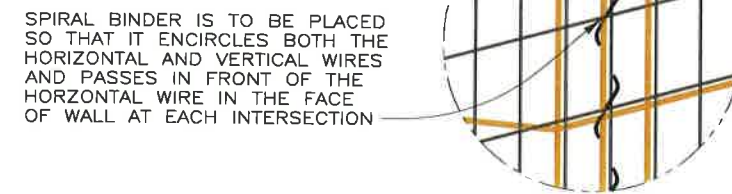
TYPICAL SECTION
NOT TO SCALE



WALL COMPONENTS
NOT TO SCALE



END OF WALL TREATMENT
NOT TO SCALE



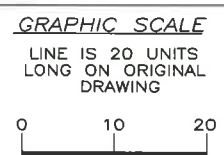
SPIRAL BINDER ATTACHMENT
NOT TO SCALE



140827AN WESTRIDGE

THIS DRAWING IS FURNISHED SOLELY FOR THE USE OF OR IN CONNECTION WITH THIS PROJECT AND THE PROPRIETARY INFORMATION SHOWN HEREON IS NOT TO BE TRANSMITTED TO ANY OTHER ORGANIZATION WITHOUT SPECIFIC AUTHORIZATION BY THE HILFIKER COMPANY. HILFIKER RETAINING WALLS ARE PROTECTED BY ONE OR MORE OF THE FOLLOWING PATENTS: 243,613; 243,697; 288,616; 4,117,886; 4,329,089; 4,324,506; 4,391,557; 4,505,621; 4,343,318; 4,661,023; 4,856,939; 4,929,125; 5,076,735; 5,647,695; 5,722,799; 5,733,072; 6,357,970B1; 6,874,975B2; 7,033,118B2; AND OTHERS. OTHER PATENTS PENDING (2006)

| REV. NO. | DATE | BY | DESCRIPTION |
|----------|-----------|-----|---|
| 1 | 21 APR 15 | AMJ | REMOVED WALLS 1,3,4 & 5; REVISED WALL 2, QUANTITY CHARTS AND SOME DETAILS; UPDATED SPIRALNAIL LENGTHS |
| 2 | 28 APR 15 | AMJ | PLACE SPIRALNAIL LENGTHS ON WALLS |



PROJ. MGR. BH
ENGINEER
CADD BY AMJ

HILFIKER RETAINING WALLS

1902 Hilfiker Lane
Eureka, CA 95503-5711
TOLL-FREE 800.762.8962
PH 707.443.5093 FAX 707.443.2891
WEBSITE www.hilfiker.com E-MAIL info@hilfiker.com

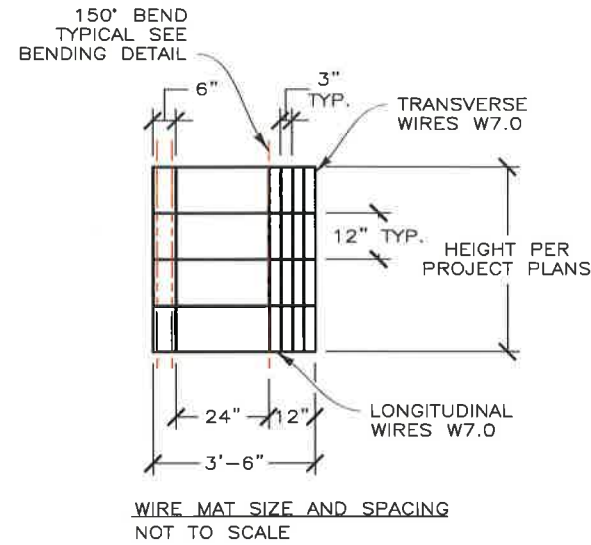
DWG DATE 6 OCT 14
REVISION DATE 28 APR 15
SCALE NOTED

ENGINEERED SUBMITTAL

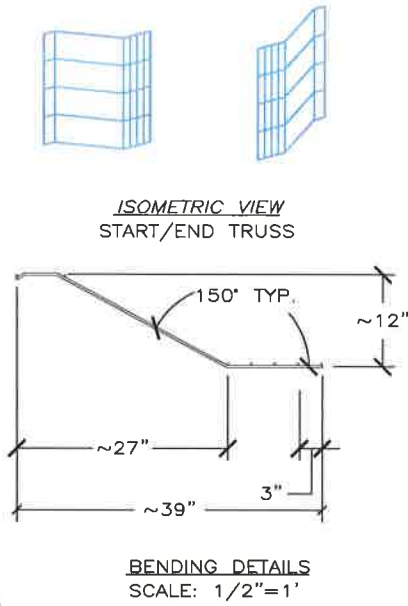
WIRETRUSS VENEER
WESTRIDGE
SPRINGHILL CONSTRUCTION, LLC
EDGEWOOD, WASHINGTON

WIRETRUSS SECTION AND DETAILS

PROJECT NO. 140827AN
SHEET 12 OF 13

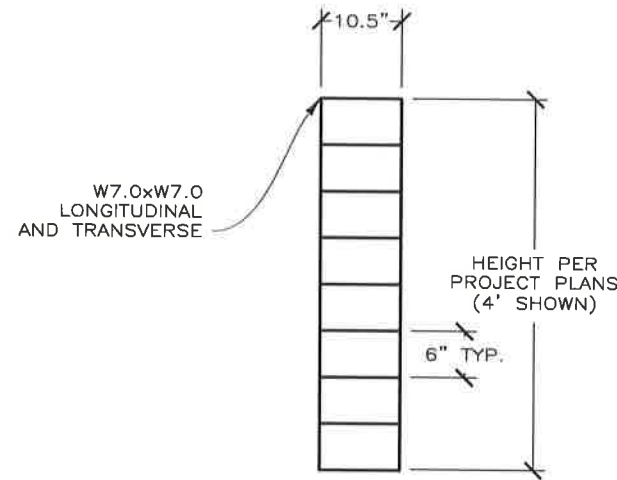


START/END TRUSS

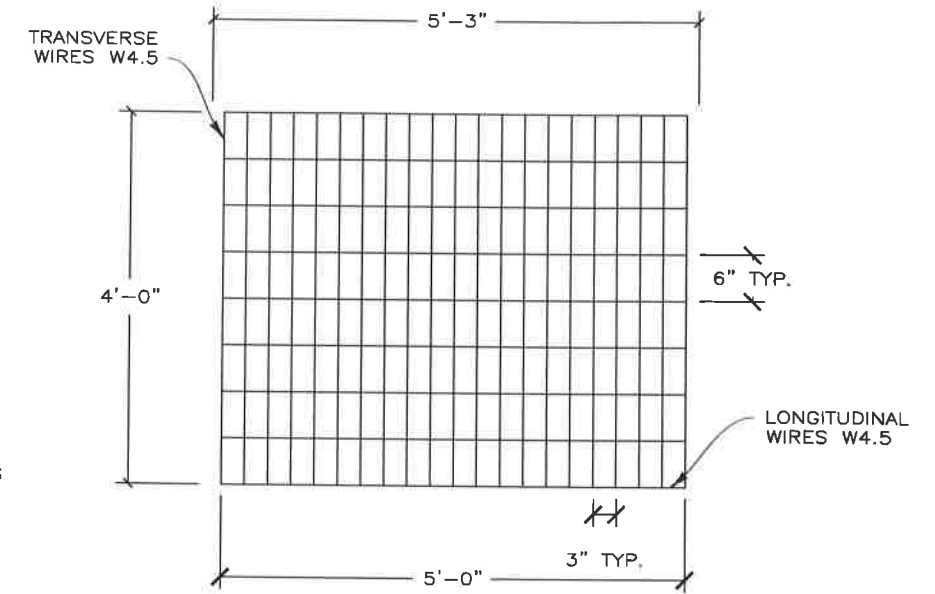


BENDING DETAILS
SCALE: 1/2"=1'

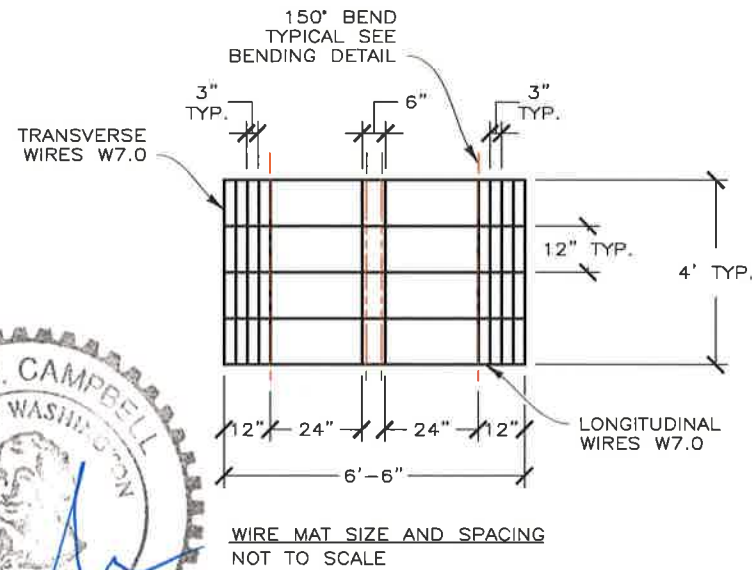
APPROX. (~) DIMENSIONS ARE BASED ON BENDS AND MAY DIFFER SLIGHTLY



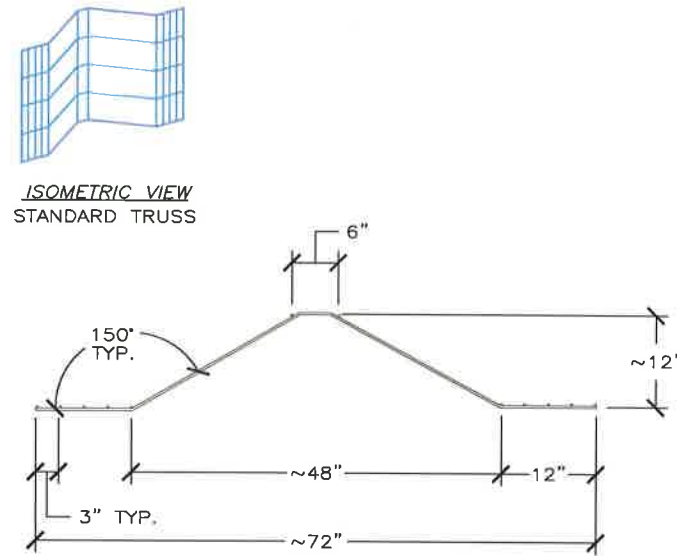
STIFFENER
SCALE: 1/2"=1'



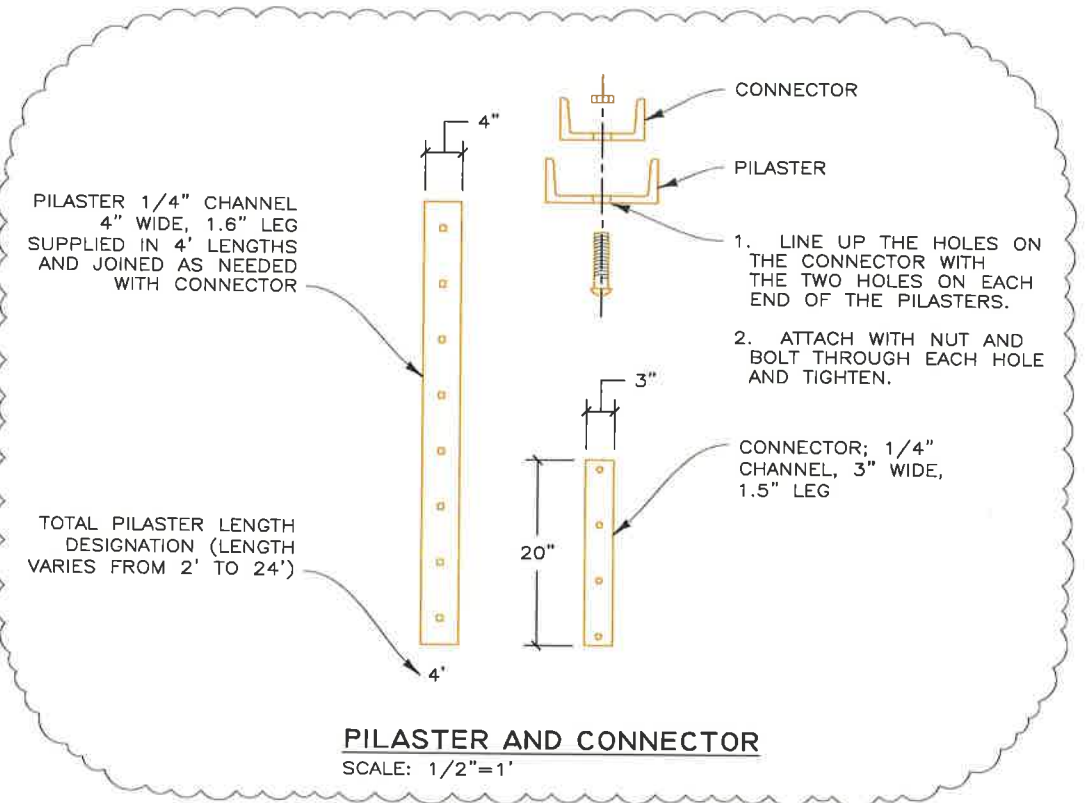
FACING PANEL
SCALE: 1/2"=1'



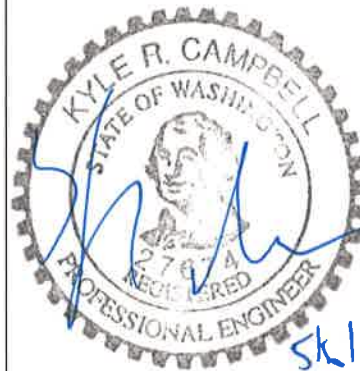
STANDARD TRUSS



BENDING DETAILS
SCALE: 1/2"=1'



PILASTER AND CONNECTOR
SCALE: 1/2"=1'

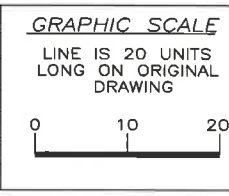


skl/s

140827AN WESTRIDGE

THIS DRAWING IS FURNISHED SOLELY FOR THE USE OF DR IN CONNECTION WITH THIS PROJECT AND THE PROPRIETARY INFORMATION SHOWN HEREON IS NOT TO BE TRANSMITTED TO ANY OTHER ORGANIZATION WITHOUT SPECIFIC AUTHORIZATION BY THE HILFIKER COMPANY. HILFIKER RETAINING WALLS ARE PROTECTED BY ONE OR MORE OF THE FOLLOWING PATENTS: 243,613; 243,697; 288,616; 4,117,686; 4,328,088; 4,324,508; 4,391,557; 4,505,621; 4,343,318; 4,661,023; 4,856,939; 4,929,125; 5,076,735; 5,647,695; 5,722,799; 5,733,072; 6,357,970B1; 6,874,975B2; 7,033,118B2; AND OTHERS. OTHER PATENTS PENDING (2008)

| REV. NO. | DATE | BY | DESCRIPTION |
|----------|-----------|-----|---|
| 1 | 21 APR 15 | AMJ | REMOVED WALLS 1,3,4 & 5; REVISED WALL 2, QUANTITY CHARTS AND SOME DETAILS; UPDATED SPIRALNAIL LENGTHS |
| 2 | 28 APR 15 | AMJ | PLACE SPIRALNAIL LENGTHS ON WALLS |



PROJ. MGR. BH
ENGINEER
CADD BY AMJ

HILFIKER RETAINING WALLS

1902 Hilfiker Lane
Eureka, CA 95503-5711
TOLL-FREE 800.762.8962
PH 707.443.5093 FAX 707.443.2891
WEBSITE www.hilfiker.com E-MAIL info@hilfiker.com

1902
SINCE 1902
QUALITY PRODUCTS

DWG DATE 6 OCT 14
REVISION DATE 28 APR 15
SCALE NOTED

| ENGINEERED SUBMITTAL | |
|--|--|
| WIRETRUSS VENEER | |
| WESTRIDGE | |
| SPRINGHILL CONSTRUCTION, LLC EDGEWOOD, WASHINGTON | |
| WIRETRUSS VENEER PANEL DIMENSIONS | |

PROJECT NO. 140827AN
SHEET **13** OF 13