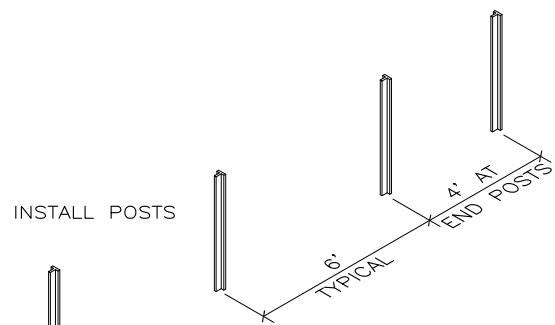
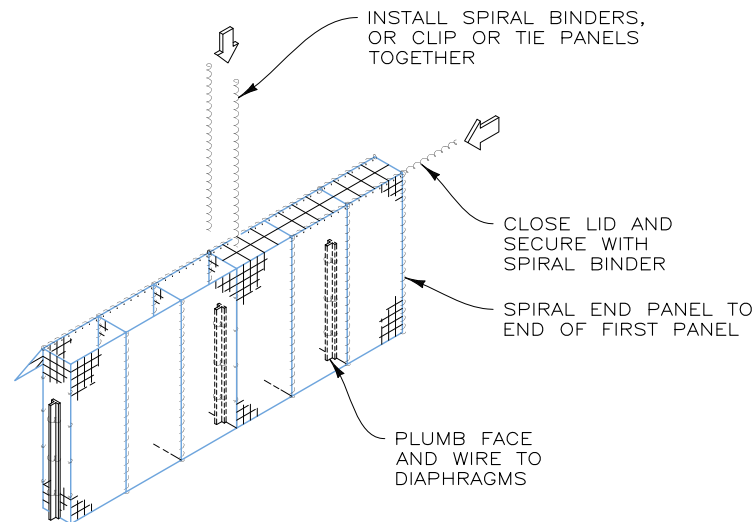


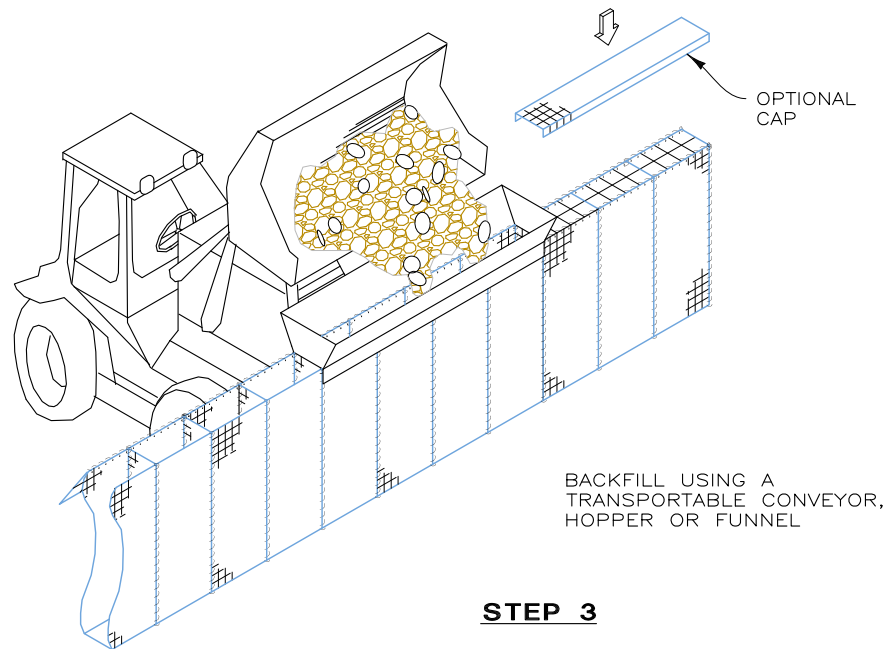
DETAILS \ GABION \ GABION FENCE



STEP 1



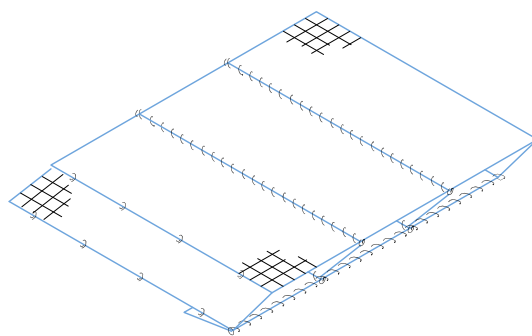
STEP 2



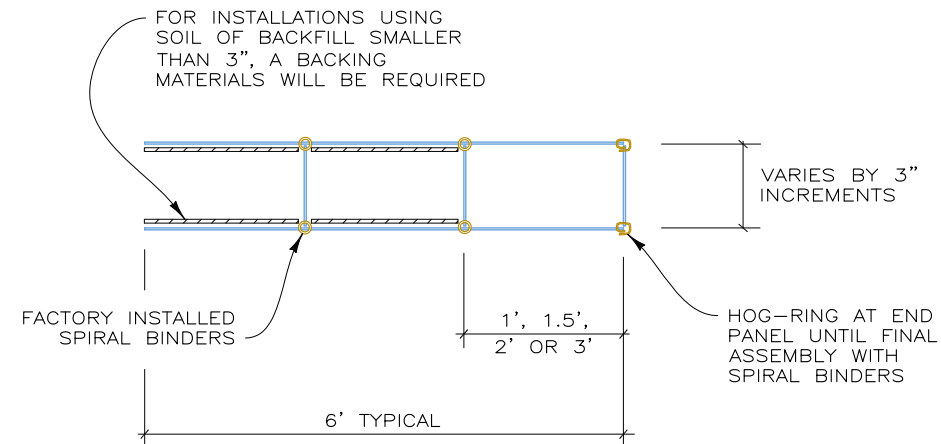
STEP 3

NOTES

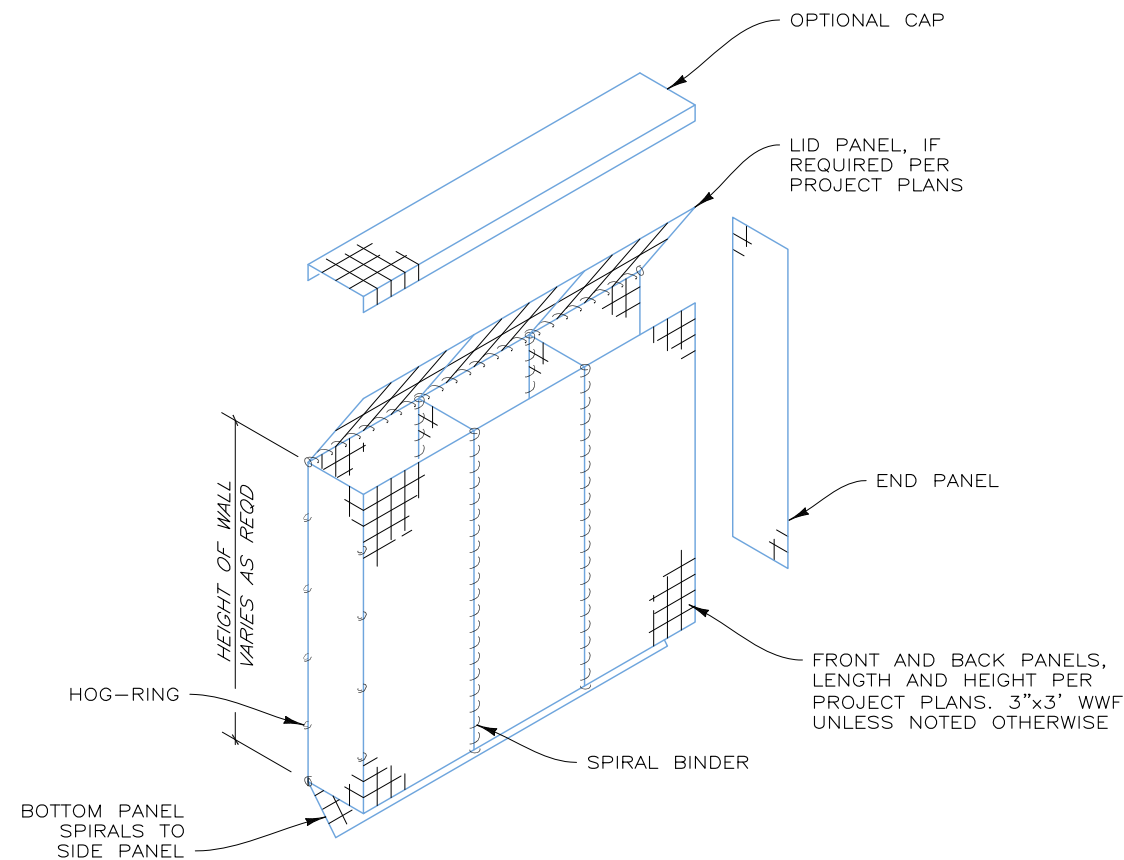
1. WALL MAY BE BACKFILLED WITH ROCK, SOIL OR ANY MATERIAL TO SATISFY THE AESTHETIC, SOUND ABSORPTION OR ENGINEERING NEEDS.
2. IF WALL IS FILLED WITH ROCK, IT MAY BE COVERED WITH SHOTCRETE OR PLASTER TO GIVE A CONCRETE APPEARANCE, OR LEFT AS AN EXPOSED ROCK FINISH, OR PLANTED WITH CLIMBING PLANTS.
3. IF WALL IS FILLED WITH SOIL, IT CAN BE PLANTED WITH A VARIETY OF PLANT TYPES OR HYDROSEEDED. IRRIGATION MAY BE BY INTERNAL OR EXTERNAL DRIP SYSTEMS, OR SURFACE SPRAY.



PANEL FOLDED FLAT FOR SHIPMENT



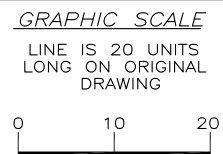
**PLAN VIEW
ONE PANEL**



**ISOMETRIC - ONE PANEL
WALL COMPONENTS**

THIS DRAWING IS FURNISHED SOLELY FOR THE USE OF OR IN CONNECTION WITH THIS PROJECT, AND THE PROPRIETARY INFORMATION SHOWN HEREON IS NOT TO BE TRANSMITTED TO ANY OTHER ORGANIZATION WITHOUT SPECIFIC AUTHORIZATION BY THE HILFIKER COMPANY. HILFIKER RETAINING WALLS ARE PROTECTED BY ONE OR MORE OF THE FOLLOWING PATENTS: 243,613, 243,697, 288,616, 4,117,686, 4,329,089, 4,324,508, 4,391,557, 4,505,621, 4,643,618, 4,661,023, 4,856,939, 5,076,735, 5,647,695, 5,722,799, 6,357,370 AND OTHERS. OTHER PATENTS PENDING (2004)

REV.NO.	DATE	BY	DESCRIPTION
1	3 JUL 02	DR	UPDATED BORDER
2	29 SEPT 08	AMJ	UPDATED BORDER
3	18 FEB 13	AMJ	MINOR CHANGES AND UPDATED BORDER
4	5 JAN 17	AMJ	ADDED COLOR TO DETAILS



PROJ.MGR.
BH
ENGINEER
CADD BY
HRW

HILFIKER RETAINING WALLS

1902 Hilfiker Lane
Eureka, CA 95503-5711
TOLL-FREE 800.762.8962
PH 707.443.5093 FAX 707.443.2891
WEBSITE www.hilfiker.com E-MAIL Info@hilfiker.com

DWG DATE
2 NOV 93
REVISION DATE
5 JAN 17
SCALE
NOTED

STANDARD DETAIL	PROJECT NO. --
ARTWELD GABION GABION FENCE	SHEET 1
DETAILS	OF 1