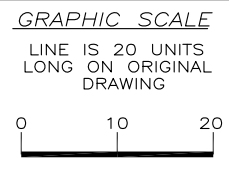


181105AW - LEES FERRY



THIS DRAWING IS FURNISHED SOLELY FOR THE USE OF OR IN CONNECTION WITH THIS PROJECT AND THE PROPRIETARY INFORMATION SHOWN HEREON IS NOT TO BE TRANSMITTED TO ANY OTHER ORGANIZATION WITHOUT SPECIFIC AUTHORIZATION BY THE HILFIKER COMPANY. HILFIKER RETAINING WALLS ARE PROTECTED BY ONE OR MORE OF THE FOLLOWING PATENTS: 243,613; 243,697; 288,616; 4,117,686; 4,329,089; 4,324,506; 4,391,557; 4,505,621; 4,343,318; 4,661,023; 4,856,939; 4,929,125; 5,076,735; 5,647,695; 5,722,799; 5,733,072; 6,357,970B1; 6,874,975B2; 7,033,118B2; AND OTHERS. OTHER PATENTS PENDING (2008)

REV.NO.	DATE	BY	DESCRIPTION
1	21 FEB 19	DH	ADDRESS REVIEW COMMENTS



PROJ. MGR.  
LB  
ENGINEER  
CADD BY  
AH

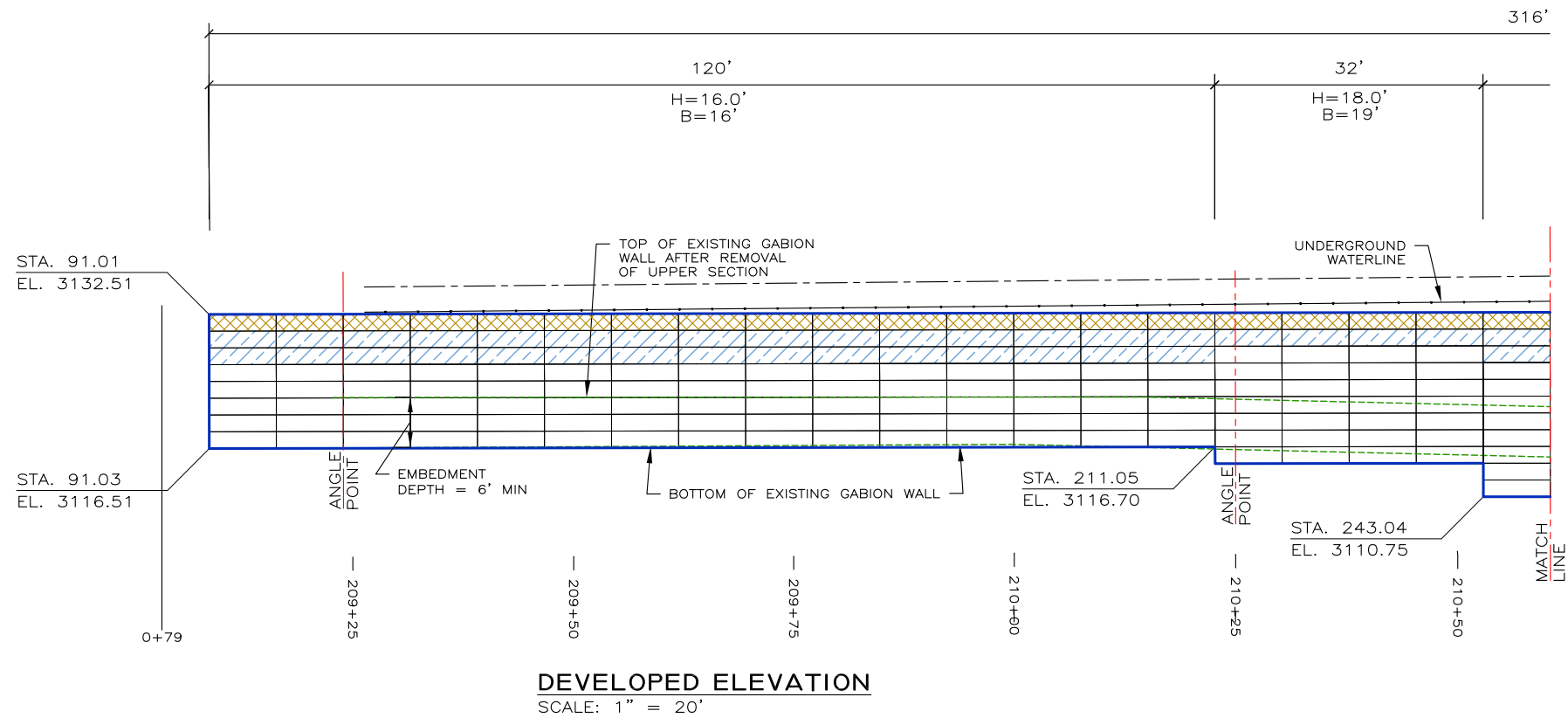
**HILFIKER RETAINING WALLS**

1902 Hilfiker Lane  
Eureka, CA 95503-5711  
TOLL-FREE 800.762.8962  
PH 707.443.5093 FAX 707.443.2891  
WEB SITE www.hilfiker.com E-MAIL info@hilfiker.com

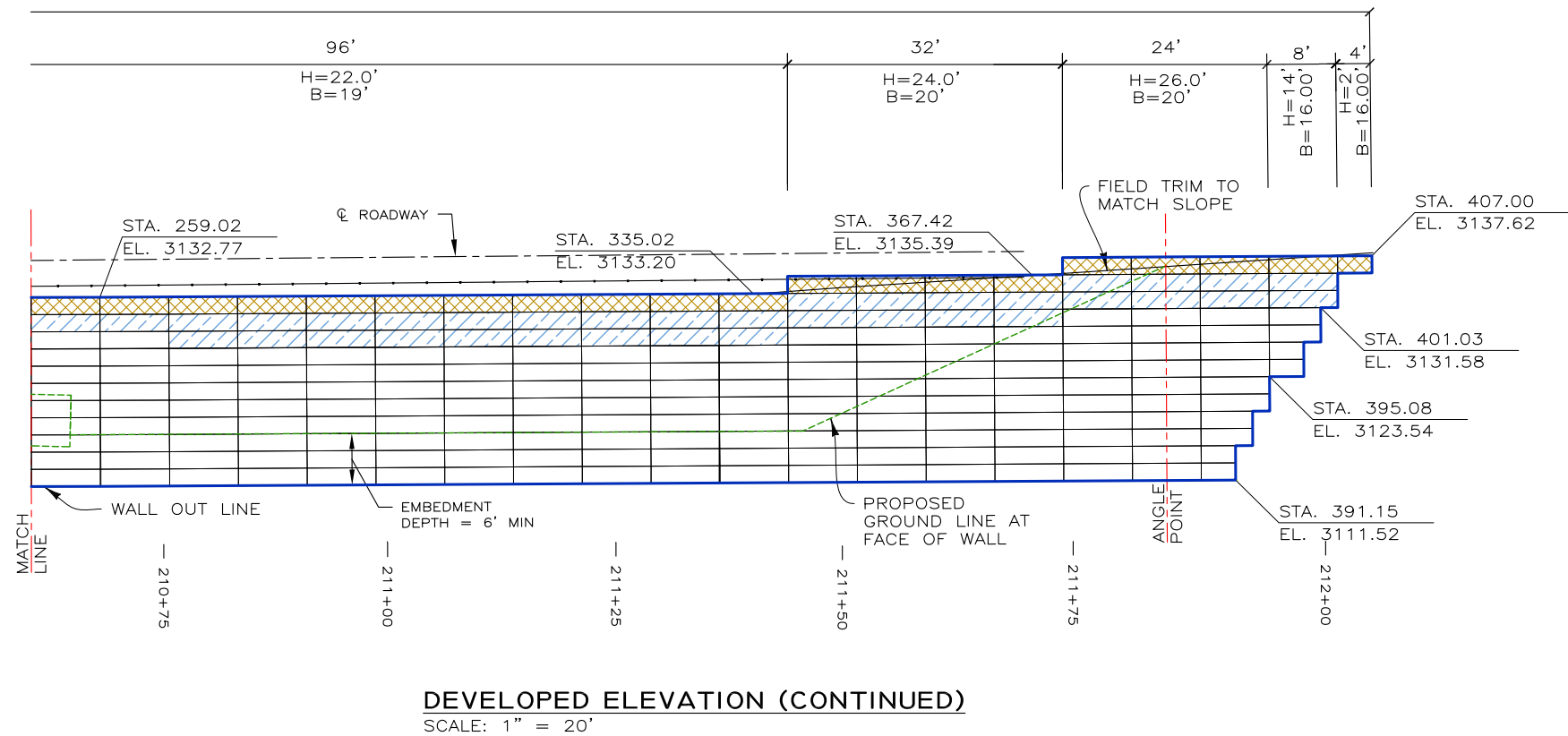
DWG DATE  
15 FEB 19  
REVISION DATE  
21 FEB 19  
SCALE  
NOTED

SHOP DRAWINGS  
WELDED WIRE WALL  
LEES FERRY  
FHWA - CFL  
LEES FERRY RANCH HOUSE, ARIZONA  
PLAN VIEW

PROJECT NO.  
181105AW  
SHEET  
1  
OF 5



**DEVELOPED ELEVATION**  
SCALE: 1" = 20'



**DEVELOPED ELEVATION (CONTINUED)**  
SCALE: 1" = 20'

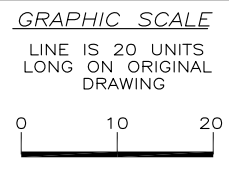
- B W7.0x3.5 - 12x12 PRONGLESS AND CAP MATS
- B W7.0x3.5 - 12x12 STANDARD MATS
- B W9.5x4.0 - 12x12 STANDARD MATS

SUPPLIED QUANTITIES	
WELDED WIRE WALL	6,096 SQ. FT.

181105AW - LEES FERRY

THIS DRAWING IS FURNISHED SOLELY FOR THE USE OF OR IN CONNECTION WITH THIS PROJECT AND THE PROPRIETARY INFORMATION SHOWN HEREON IS NOT TO BE TRANSMITTED TO ANY OTHER ORGANIZATION WITHOUT SPECIFIC AUTHORIZATION BY THE HILFIKER COMPANY. HILFIKER RETAINING WALLS ARE PROTECTED BY ONE OR MORE OF THE FOLLOWING PATENTS: 243,613; 243,697; 288,616; 4,117,686; 4,329,089; 4,324,508; 4,391,557; 4,505,621; 4,343,318; 4,661,023; 4,856,939; 4,929,125; 5,076,735; 5,647,695; 5,722,799; 5,733,072; 6,357,970B1; 6,874,975B2; 7,033,118B2; AND OTHERS. OTHER PATENTS PENDING (2008)

REV. NO.	DATE	BY	DESCRIPTION
1	21 FEB 19	DH	ADDRESS REVIEW COMMENTS



PROJ. MGR.  
LB  
ENGINEER  
CADD BY  
AH

**HILFIKER RETAINING WALLS**

1902 Hilfiker Lane  
Eureka, CA 95503-5711  
TOLL-FREE 800.762.8962  
PH 707.443.5093 FAX 707.443.2891  
WEBSITE www.hilfiker.com E-MAIL info@hilfiker.com

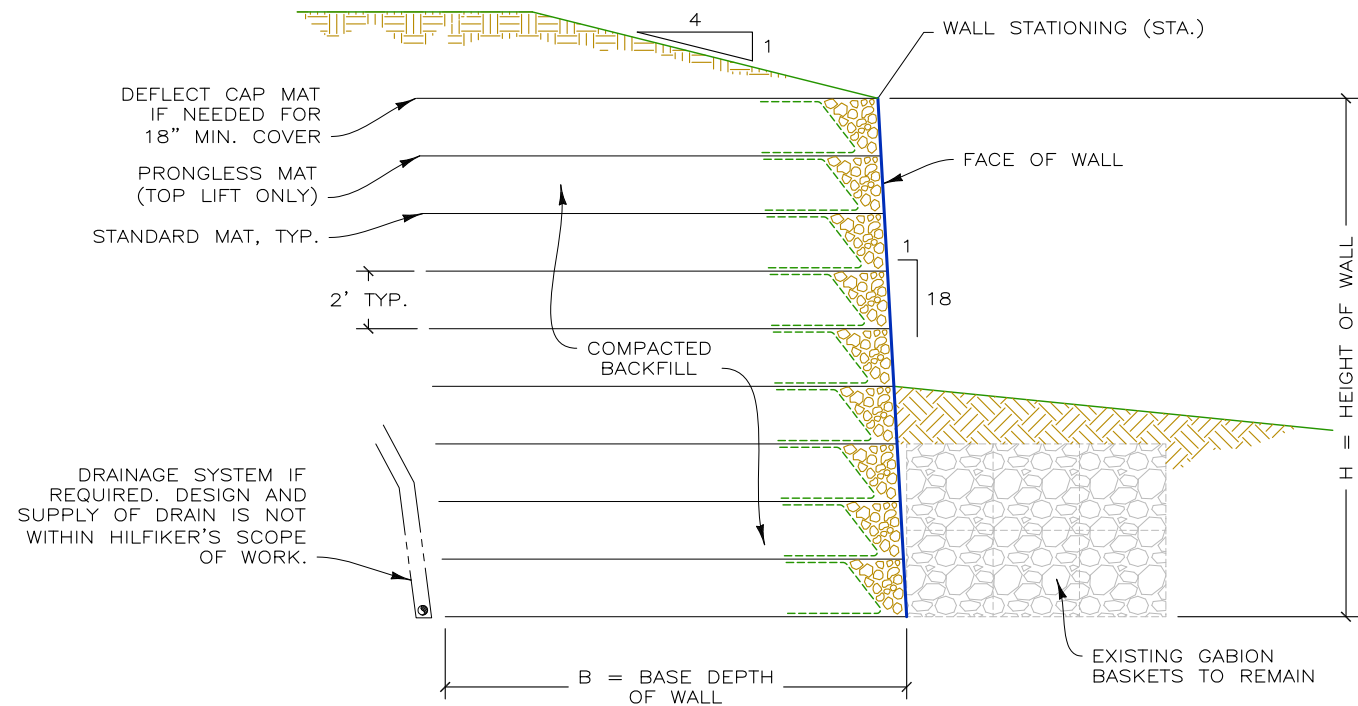
SINCE 1902  
QUALITY PRODUCTS

DWG DATE  
15 FEB 19  
REVISION DATE  
21 FEB 19  
SCALE  
NOTED

SHOP DRAWINGS  
WELDED WIRE WALL  
LEES FERRY  
FHWA - CFL  
LEES FERRY RANCH HOUSE, ARIZONA  
ELEVATION VIEW

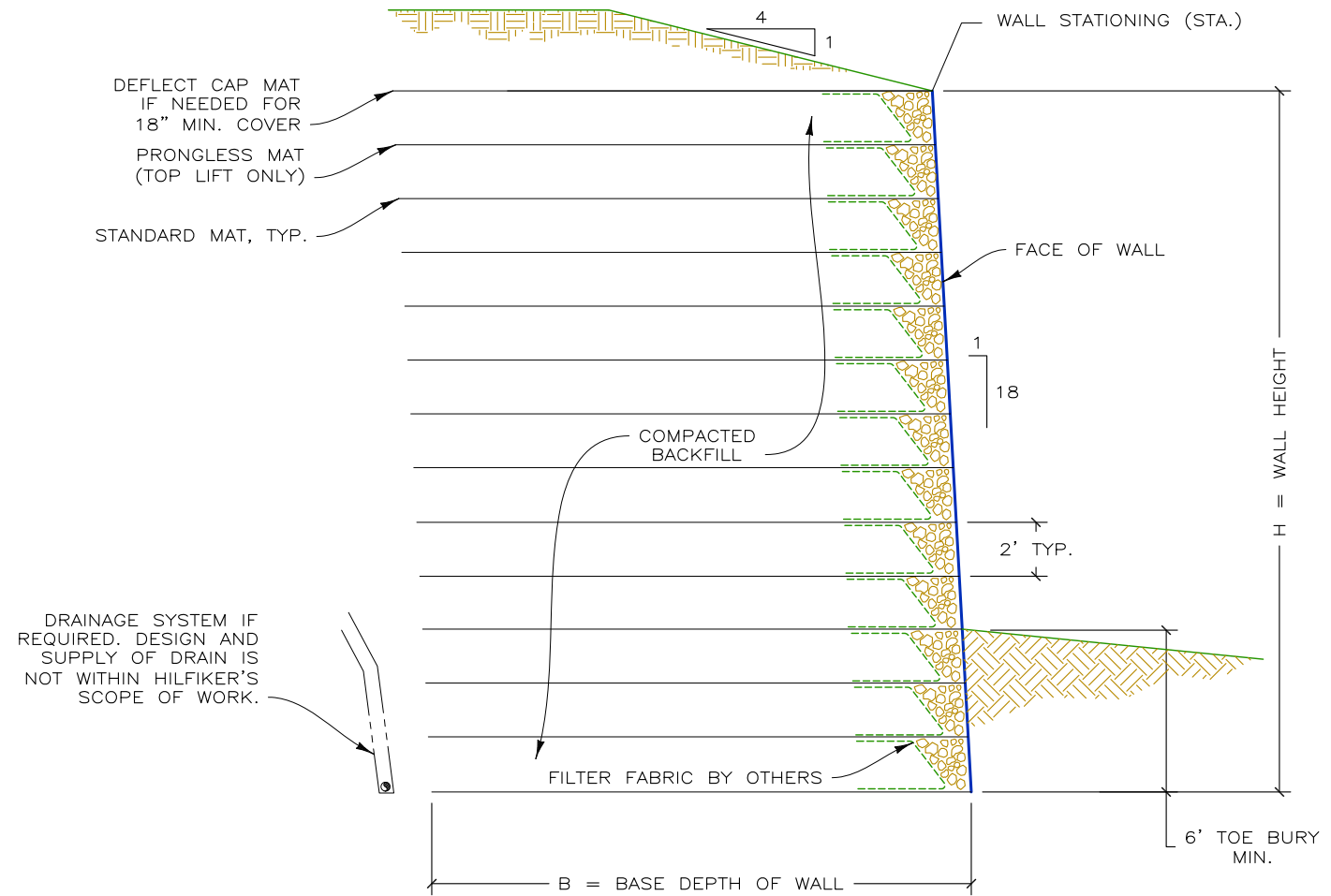
PROJECT NO.  
181105AW  
SHEET  
2  
OF 5

181105AW - LEES FERRY



FROM STA. 209+25 TO 210+65

**TYPICAL WELDED WIRE WALL SECTION**  
SCALE: 3" = 20'

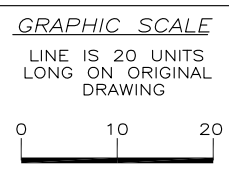


FROM STA. 210+65 TO 212+05

**TYPICAL WELDED WIRE WALL SECTION**  
SCALE: 3" = 20'

THIS DRAWING IS FURNISHED SOLELY FOR THE USE OF OR IN CONNECTION WITH THIS PROJECT AND THE PROPRIETARY INFORMATION SHOWN HEREON IS NOT TO BE TRANSMITTED TO ANY OTHER ORGANIZATION WITHOUT SPECIFIC AUTHORIZATION BY THE HILFIKER COMPANY. HILFIKER RETAINING WALLS ARE PROTECTED BY ONE OR MORE OF THE FOLLOWING PATENTS: 243,613; 243,697; 288,616; 4,117,686; 4,329,089; 4,324,508; 4,391,557; 4,505,821; 4,343,318; 4,661,023; 4,856,939; 4,929,125; 5,076,735; 5,647,695; 5,722,799; 5,733,072; 6,357,970B1; 6,874,975B2; 7,033,118B2; AND OTHERS. OTHER PATENTS PENDING (2008)

REV. NO.	DATE	BY	DESCRIPTION
1	21 FEB 19	DH	ADDRESS REVIEW COMMENTS



PROJ. MGR.  
LB  
ENGINEER  
CADD BY  
AH

**HILFIKER RETAINING WALLS**

1902 Hilfiker Lane  
Eureka, CA 95503-5711  
TOLL-FREE 800.762.8962  
PH 707.443.5093 FAX 707.443.2891  
WEBSITE www.hilfiker.com E-MAIL info@hilfiker.com

DWG DATE  
15 FEB 19  
REVISION DATE  
21 FEB 19  
SCALE  
NOTED

SHOP DRAWINGS  
WELDED WIRE WALL  
LEES FERRY  
FHWA - CFL  
LEES FERRY RANCH HOUSE, ARIZONA  
TYPICAL SECTION

PROJECT NO.  
181105AW  
SHEET  
3  
OF 5

**STEP 1**

PLACE THE FIRST COURSE OF SOIL REINFORCEMENT MATS ON PREPARED FOUNDATION



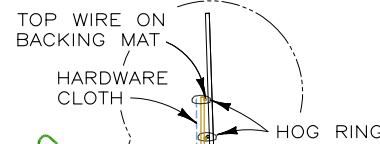
**STEP 2**

PLACE THE BACKING MAT AGAINST THE INSIDE FACE OF THE SOIL REINFORCEMENT MAT. CLIP THE SECOND-TO-TOP TRANSVERSE WIRE ON THE BACKING MAT TO THE TOP TRANSVERSE WIRE ON THE SOIL REINFORCEMENT MAT.

INSTALL CONTINUOUS HARDWARE CLOTH (SUPPLIED BY OTHERS), HOG-RING TO THE TOP WIRE ON THE BACKING MAT.

INSTALL CONTINUOUS FILTER FABRIC (SUPPLIED BY OTHERS)

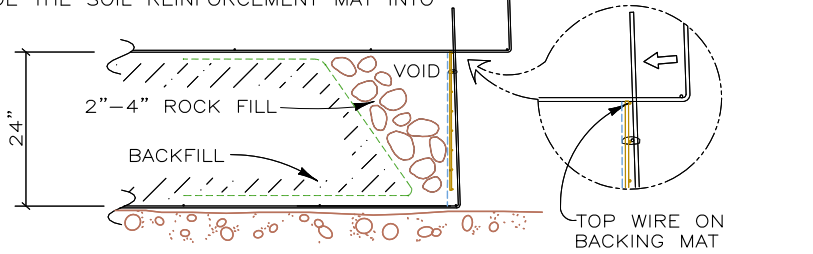
PLACE AND COMPACT BACKFILL



**STEP 3**

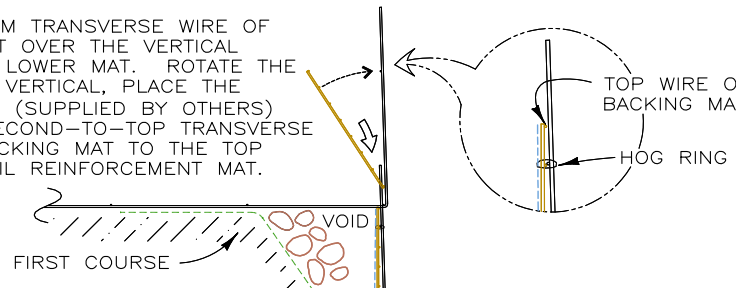
BRING THE FILTER FABRIC (SUPPLIED BY OTHERS) OVER THE FRONT AND TOP OF THE BACKFILL AS SHOWN. PLACE THE ROCK IN THE FACE OF THE WALL. LEAVE A VOID AS SHOWN.

PLACE THE SECOND COURSE OF SOIL REINFORCEMENT MATS WITH THE BASE LONGITUDINAL WIRES RESTING ON THE TOP TRANSVERSE WIRE OF THE BACKING MAT BELOW. SLIDE THE SOIL REINFORCEMENT MAT INTO ALIGNMENT.



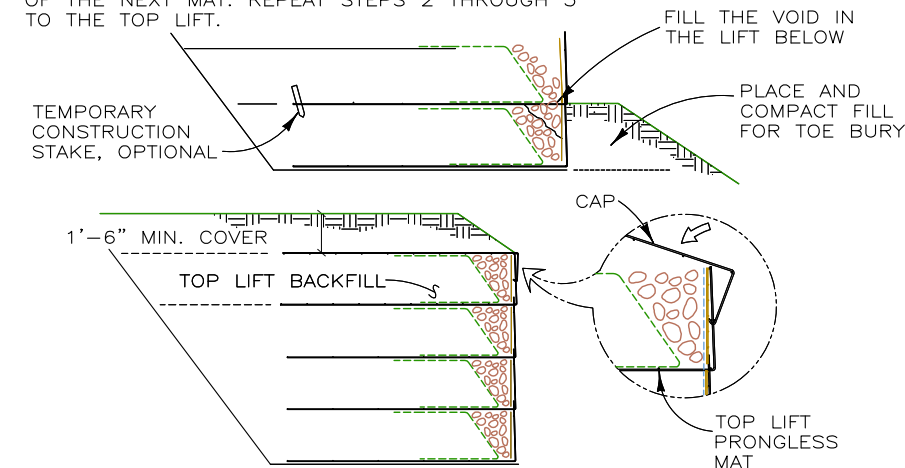
**STEP 4**

HOOK THE BOTTOM TRANSVERSE WIRE OF THE BACKING MAT OVER THE VERTICAL PRONGS ON THE LOWER MAT. ROTATE THE BACKING MAT TO VERTICAL, PLACE THE HARDWARE CLOTH (SUPPLIED BY OTHERS) AND CLIP THE SECOND-TO-TOP TRANSVERSE WIRE ON THE BACKING MAT TO THE TOP WIRE ON THE SOIL REINFORCEMENT MAT.



**STEP 5**

INSTALL THE FILTER FABRIC (SUPPLIED BY OTHERS) AS IN STEPS 2 AND 3. PLACE AND COMPACT THE BACKFILL AND ROCK TO THE BASE ELEVATION OF THE NEXT MAT. REPEAT STEPS 2 THROUGH 5 TO THE TOP LIFT.

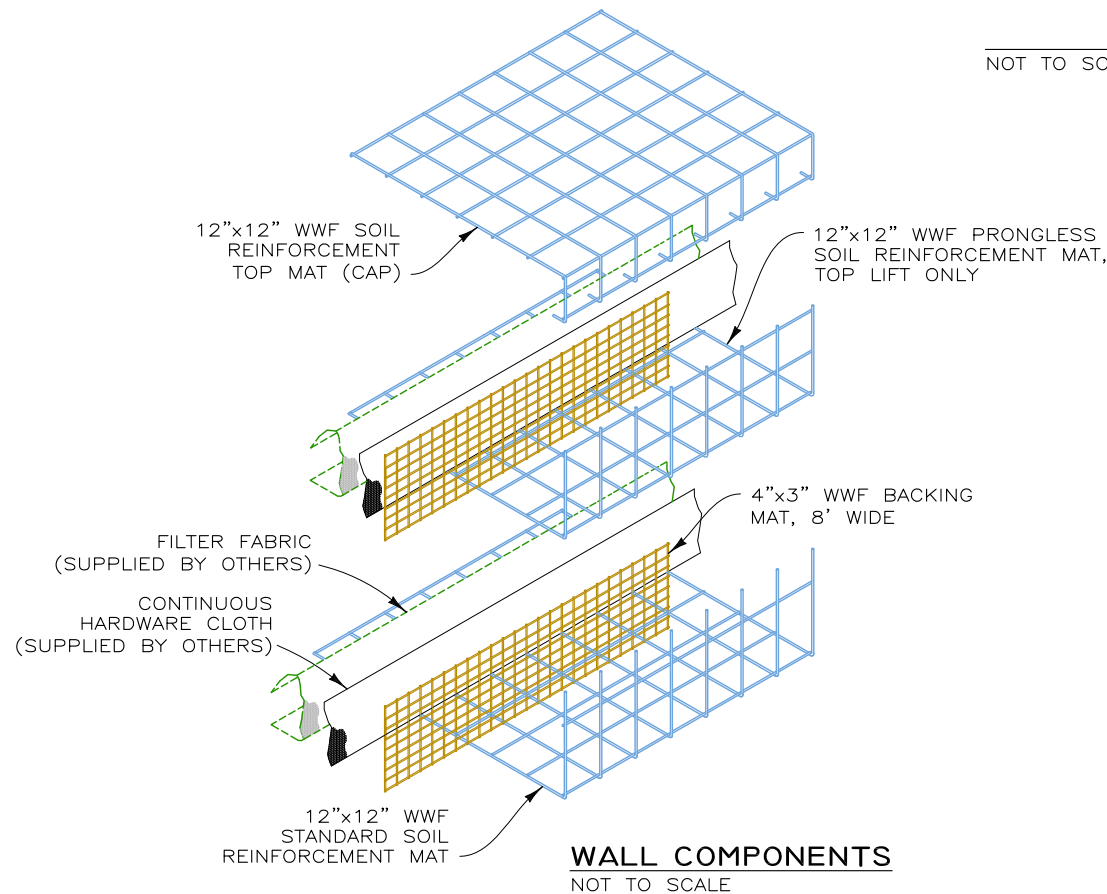


**STEP 6: TOP LIFT**

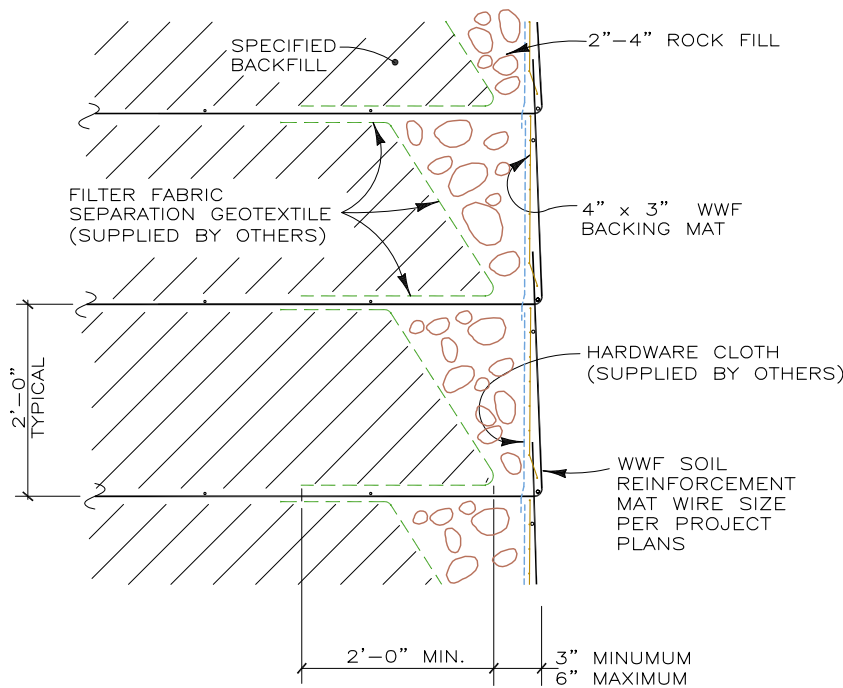
PLACE THE TOP LIFT PRONGLESS MAT, BACKING MAT, CONTINUOUS HARDWARE CLOTH (SUPPLIED BY OTHERS) AND FILTER FABRIC (SUPPLIED BY OTHERS). PLACE AND COMPACT BACKFILL AND ROCK IN THE TOP LIFT. HOOK THE CAP OVER THE MIDDLE TRANSVERSE WIRE ON THE PRONGLESS MAT, AND ROTATE INTO PLACE. PLACE AND COMPACT COVER OVER TOP MAT TO 1'-6" MINIMUM DEPTH.

**CONSTRUCTION SEQUENCE**

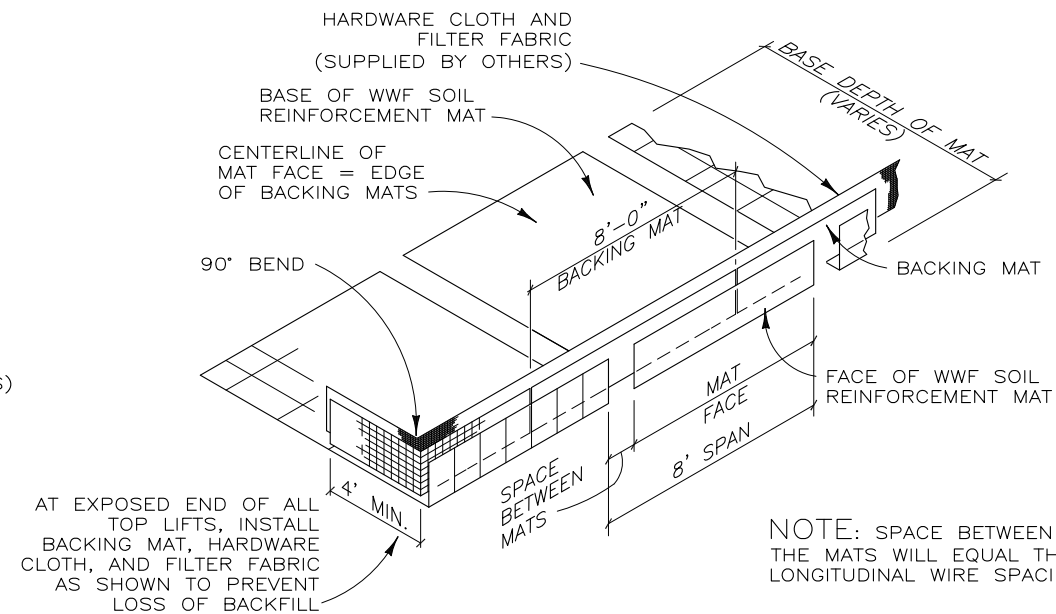
NOT TO SCALE



**WALL COMPONENTS**  
NOT TO SCALE



**SECTION**  
**WALL FACE DETAIL**  
NOT TO SCALE

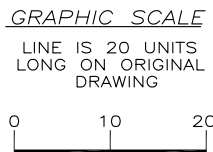


**ISOMETRIC VIEW**  
**WELDED WIRE WALL COMPONENTS WITH RETURN MAT**  
NOT TO SCALE

181105AW | LEES FERRY

THIS DRAWING IS FURNISHED SOLELY FOR THE USE OF OR IN CONNECTION WITH THIS PROJECT AND THE PROPRIETARY INFORMATION SHOWN HEREON IS NOT TO BE TRANSMITTED TO ANY OTHER ORGANIZATION WITHOUT SPECIFIC AUTHORIZATION BY THE HILFIKER COMPANY. HILFIKER RETAINING WALLS ARE PROTECTED BY ONE OR MORE OF THE FOLLOWING PATENTS: 2,433,613; 2,433,697; 2,886,616; 4,117,686; 4,329,089; 4,324,508; 4,391,557; 4,505,821; 4,343,318; 4,661,023; 4,856,939; 4,929,125; 5,076,735; 5,647,695; 5,722,799; 5,733,072; 6,357,970B1; 6,874,975B2; 7,033,118B2; AND OTHERS. OTHER PATENTS PENDING (2008)

REV. NO.	DATE	BY	DESCRIPTION
1	21 FEB 19	DH	ADDRESS REVIEW COMMENTS



PROJ. MGR.  
LB  
ENGINEER  
CADD BY  
AH

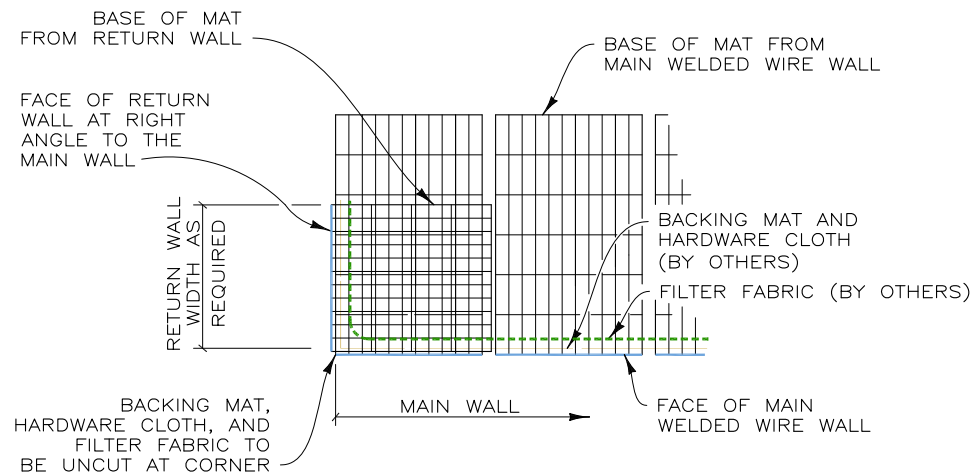
**HILFIKER RETAINING WALLS**

1902 Hilfiker Lane  
Eureka, CA 95503-5711  
TOLL-FREE 800.762.8962  
PH 707.443.5093 FAX 707.443.2891  
WEBSITE www.hilfiker.com E-MAIL info@hilfiker.com

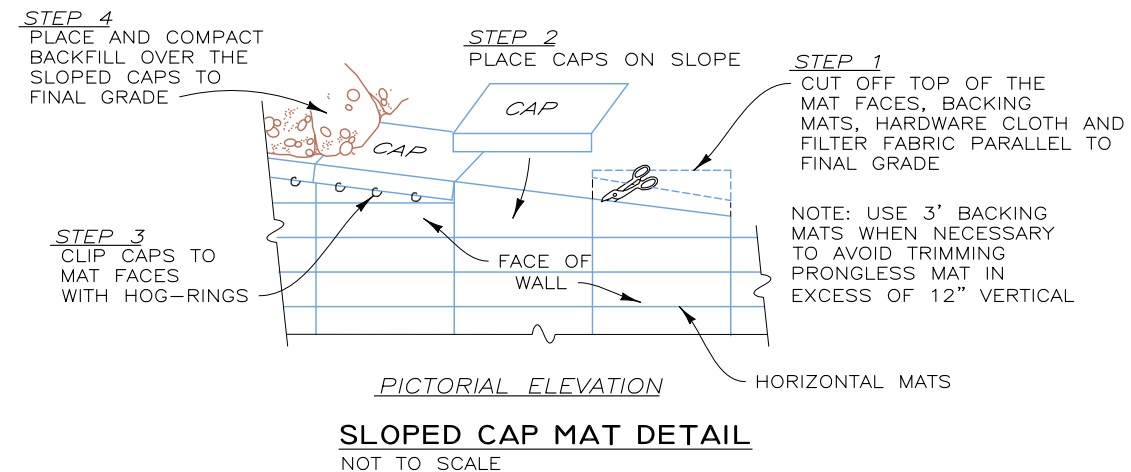
DWG DATE  
15 FEB 19  
REVISION DATE  
21 FEB 19  
SCALE  
NOTED

SHOP DRAWINGS  
WELDED WIRE WALL  
LEES FERRY  
FHWA - CFL  
LEES FERRY RANCH HOUSE, ARIZONA  
CONSTRUCTION SEQUENCE & DETAILS

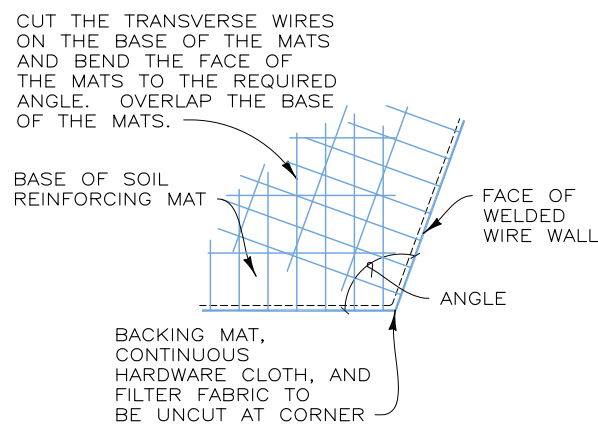
PROJECT NO.  
181105AW  
SHEET  
4  
OF 5



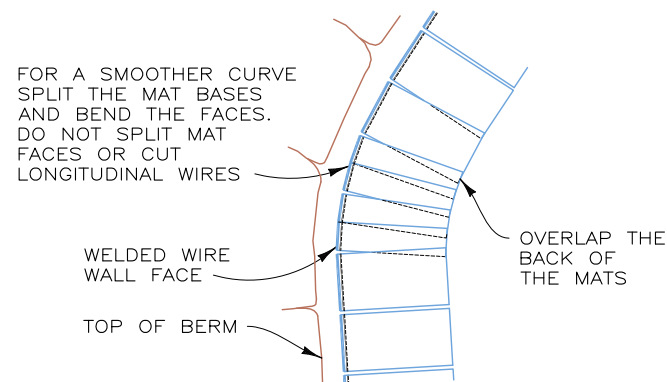
PLAN VIEW  
**RETURN WALL DETAIL**  
NOT TO SCALE



PICTORIAL ELEVATION  
**SLOPED CAP MAT DETAIL**  
NOT TO SCALE



PLAN VIEW  
**OBTUSE CONVEX ANGLE**  
NOT TO SCALE



PLAN VIEW  
**CONVEX CURVE**  
NOT TO SCALE

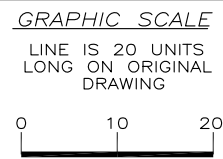
**PROJECT-SPECIFIC NOTES:**

1. REFERENCE DRAWINGS: BASED OF CAD FROM BROWN CONSULTING ENGINEERS RECEIVED VIA. EMAIL ON FEBRUARY 4TH, 2019 FROM MARC BROWN (MAILTO:MARCB@BROWNCIVIL.COM). PLAN VIEW BASED OF PLANS FROM BROWN CONSULTING ENGINEERS, P.C. DATED JANUARY, 2019. SHEET 1 OF 8. STATIONING DETERMINED FROM CALCULATIONS BY GEOSTRATA DATED FEBRUARY 8TH, 2019. SHEETS 1-6 USED.
2. BLACK AND WHITE REPRODUCTION OF THIS COLOR ORIGINAL MAY REDUCE ITS EFFECTIVENESS AND LEAD TO INCORRECT INTERPRETATION.
3. IT IS ASSUMED THAT ALL MATERIALS, BACKFILL AND CONSTRUCTION METHODS FOR HILFIKER M.S.E. WALLS WILL CONFORM TO HILFIKER'S SPECIFICATIONS.
4. THIS IS NOT AN ENGINEERED SUBMITTAL. ALL INFORMATION HEREON IS DERIVED FROM THE REFERENCE DRAWINGS, AND IS SUBJECT TO GEOMETRIC AND GEOTECHNICAL CONFIRMATION. THE APPLICABLE HILFIKER CONSTRUCTION GUIDE AND SPECIFICATIONS ARE AN INTEGRAL PART OF THIS SUBMITTAL.

181105AW | LEES FERRY

THIS DRAWING IS FURNISHED SOLELY FOR THE USE OF OR IN CONNECTION WITH THIS PROJECT AND THE PROPRIETARY INFORMATION SHOWN HEREON IS NOT TO BE TRANSMITTED TO ANY OTHER ORGANIZATION WITHOUT SPECIFIC AUTHORIZATION BY THE HILFIKER COMPANY. HILFIKER RETAINING WALLS ARE PROTECTED BY ONE OR MORE OF THE FOLLOWING PATENTS: 243,613; 243,697; 288,616; 4,117,686; 4,329,089; 4,324,508; 4,391,557; 4,505,621; 4,343,318; 4,661,023; 4,856,939; 4,929,125; 5,076,735; 5,647,695; 5,722,799; 5,733,072; 6,357,970B1; 6,874,975B2; 7,033,118B2; AND OTHERS. OTHER PATENTS PENDING (2008)

REV.NO.	DATE	BY	DESCRIPTION
1	21 FEB 19	DH	ADDRESS REVIEW COMMENTS



PROJ. MGR.  
LB  
ENGINEER  
CADD BY  
AH

**HILFIKER RETAINING WALLS**

1902 Hilfiker Lane  
Eureka, CA 95503-5711  
TOLL-FREE 800.762.8962  
PH 707.443.5093 FAX 707.443.2891  
WEBSITE www.hilfiker.com E-MAIL info@hilfiker.com

DWG DATE  
15 FEB 19  
REVISION DATE  
21 FEB 19  
SCALE  
NOTED

SHOP DRAWINGS	PROJECT NO. 181105AW
WELDED WIRE WALL LEES FERRY FHWA - CFL LEES FERRY RANCH HOUSE, ARIZONA	SHEET 5 OF 5
DETAILS AND NOTES	