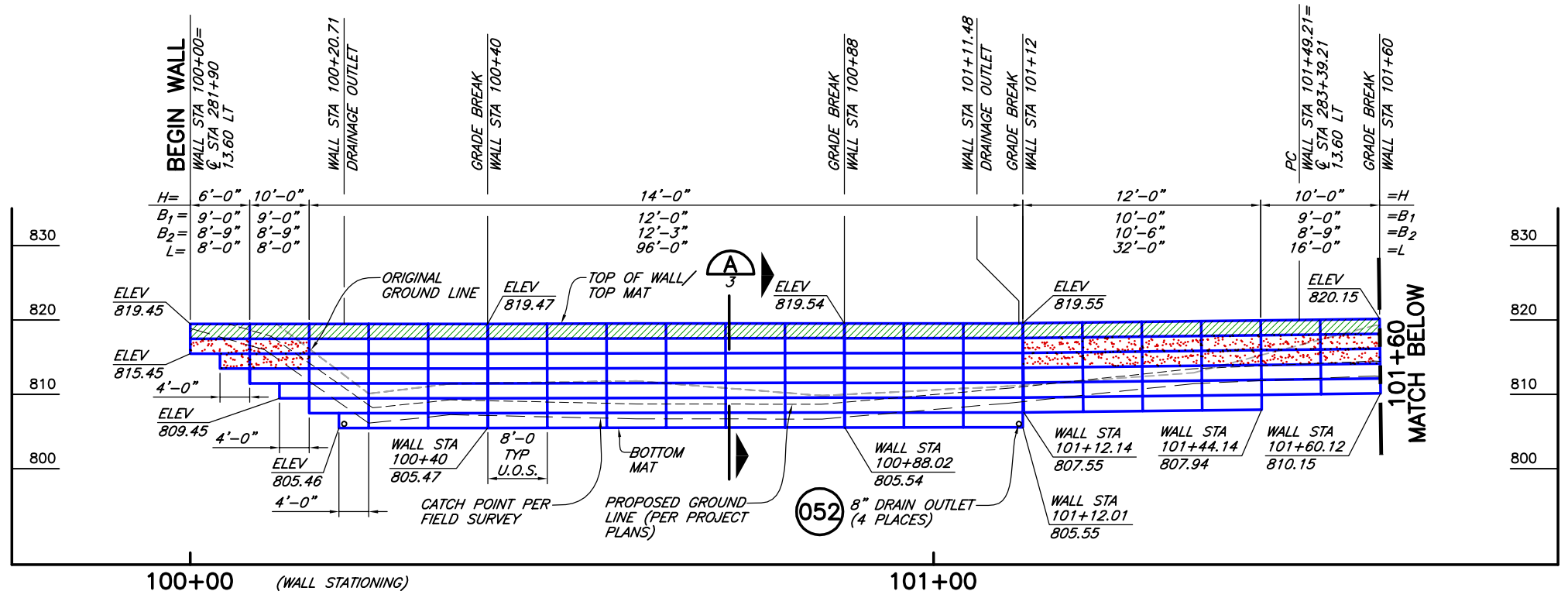


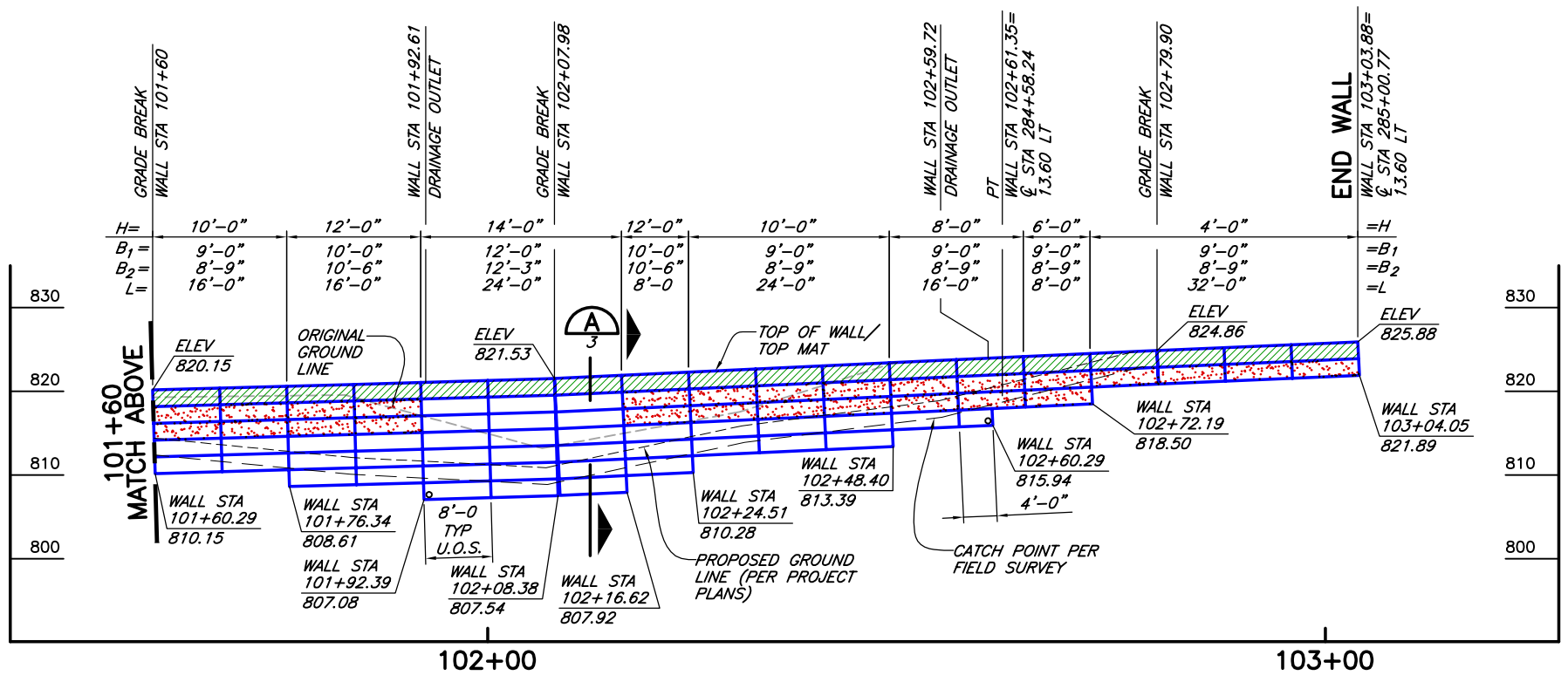
CAD: \\EUREKA\PROJECTS\2014\014205-MIDDLE-FORK\DWGS\014205-MIDDLE-FORK-R2.DWG
(HRW 131.107 BW)



DEVELOPED WALL ELEVATION (BACKFACE)

1"=10' HORIZ AND VERT
U.O.S.= UNLESS OTHERWISE STATED

- WWR MAT LEGEND**
- 8x12, W4.5xW3.5 WWR SOIL REINFORCING MATS
 - 8x10.5, W7xW3.5 WWR SOIL REINFORCING MATS
 - 8x21, W7xW4 WWR SOIL REINFORCING MATS
 - B₁ = BASE DEPTH OF TOP (2) MATS
 - B₂ = BASE DEPTH OF LOWER MATS
 - L = DISTANCE ALONG FACE OF WALL



DEVELOPED WALL ELEVATION (BACKFACE) (CONT)

1"=10' HORIZ AND VERT
U.O.S.= UNLESS OTHERWISE STATED



WELDED WIRE WALL
HILFIKER RETAINING WALLS

1902 Hilfiker Lane
Eureka, CA 95503-5711
TOLL-FREE 800.762.8962
PH 707.443.5093 FAX 707.443.2891
WEBSITE www.hilfiker.com E-MAIL info@hilfiker.com

VERIFY SCALES
BAR IS ONE INCH ON ORIGINAL DRAWING
IF NOT ONE INCH ON THIS SHEET, ADJUST SCALES ACCORDINGLY

CONSULTING ENGINEERS & GEOLOGISTS, INC.
WWW.SHN-ENGR.COM
812 W. WABASH EUREKA, CA 95501
707-441-8855

SHN

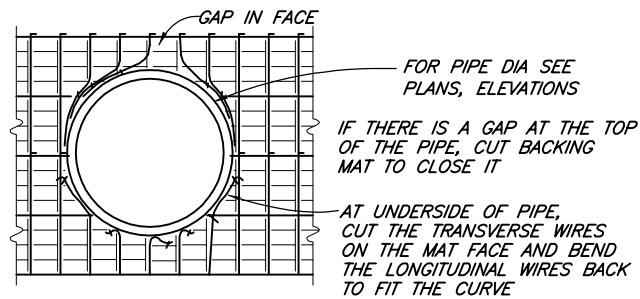
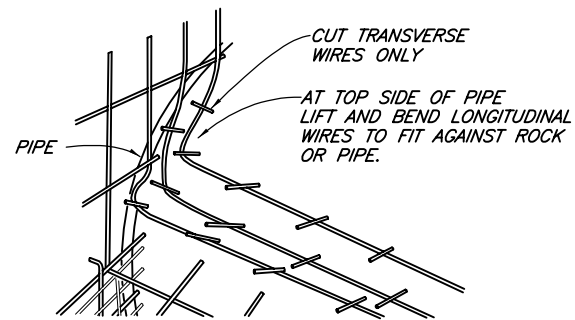
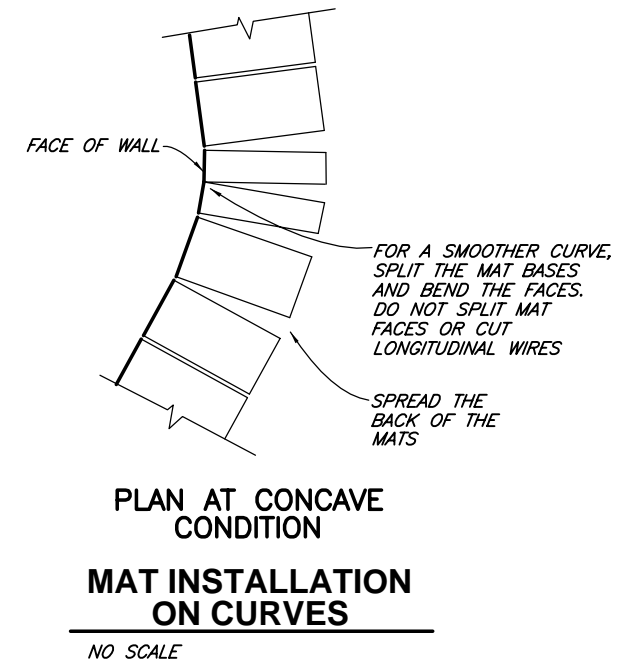
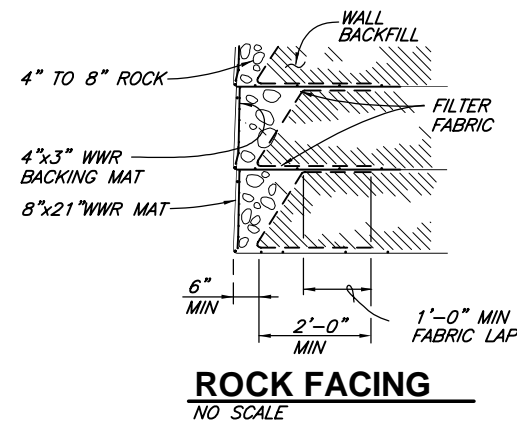
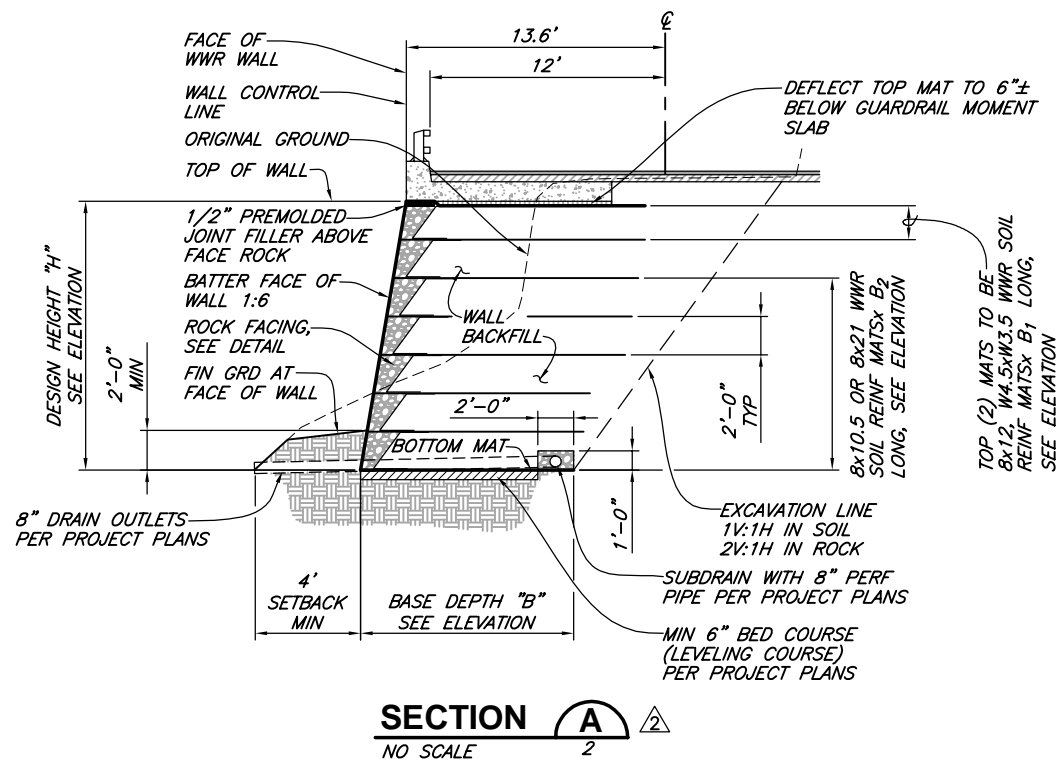
DESIGN	K/JM	DR	MMD	CHK	K/JM	APVD	
REVISION							
NO.							
DATE	04/10/15						
REVIEW COMMENTS							
CONTRACTOR REVIEW							
BY	K/JM						

WALL ELEVATION

FWHA-WFL (PROJ. NO. WA PFH-29-1(1))
MIDDLE FORK SNOQUALMIE RIVER ROAD
NORTH BEND, KING COUNTY, WASHINGTON

SHEET 2 OF 5
DATE 3/25/15
PROJ. NO. 014205

CAD: \\EUREKA\PROJECTS\2014\014205-MIDDLE-FORK\DWGS\014205-MIDDLE-FORK-R2.DWG
(HRW 131107 BW)



HORIZONTAL PENETRATION DETAIL
NO SCALE **052**



WELDED WIRE WALL
HILFIKER RETAINING WALLS



1902
SINCE 1902
1902
QUALITY PRODUCTS

1902 Hilfiker Lane
Eureka, CA 95503-5711
TOLL-FREE 800.762.8962
PH 707.443.5093 FAX 707.443.2891
WEBSITE www.hilfiker.com E-MAIL info@hilfiker.com

VERIFY SCALES
BAR IS ONE INCH ON ORIGINAL DRAWING
IF NOT ONE INCH ON THIS SHEET, ADJUST SCALES ACCORDINGLY

CONSULTING ENGINEERS & GEOLOGISTS, INC.
WWW.SHIN-ENGR.COM
812 W. WABASH EUREKA, CA 95501
707-441-8855



NO.	DATE	REVISION	BY
04/10/15		REVIEW COMMENTS	K/JN
03/27/15		CONTRACTOR REVIEW	K/JN

SECTION & DETAILS

FHWA-WFL (PROJ. NO. WA PFH-29-1(1))
MIDDLE FORK SNOQUALMIE RIVER ROAD
NORTH BEND, KING COUNTY, WASHINGTON

SHEET 3 OF 5
DATE 3/25/15
PROJ. NO. 014205

CAD: \\EUREKA\PROJECTS\2014\014205-MIDDLE-FORK\DWGS\014205-MIDDLE-FORK-R2.DWG (HRW 131107 BW)

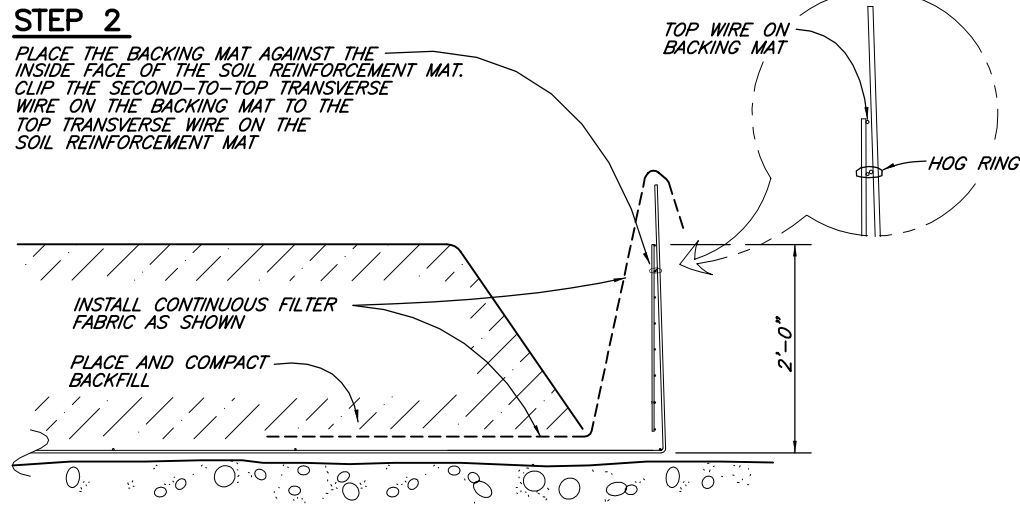
STEP 1

PLACE THE FIRST COURSE OF SOIL REINFORCEMENT MATS ON PREPARED FOUNDATION



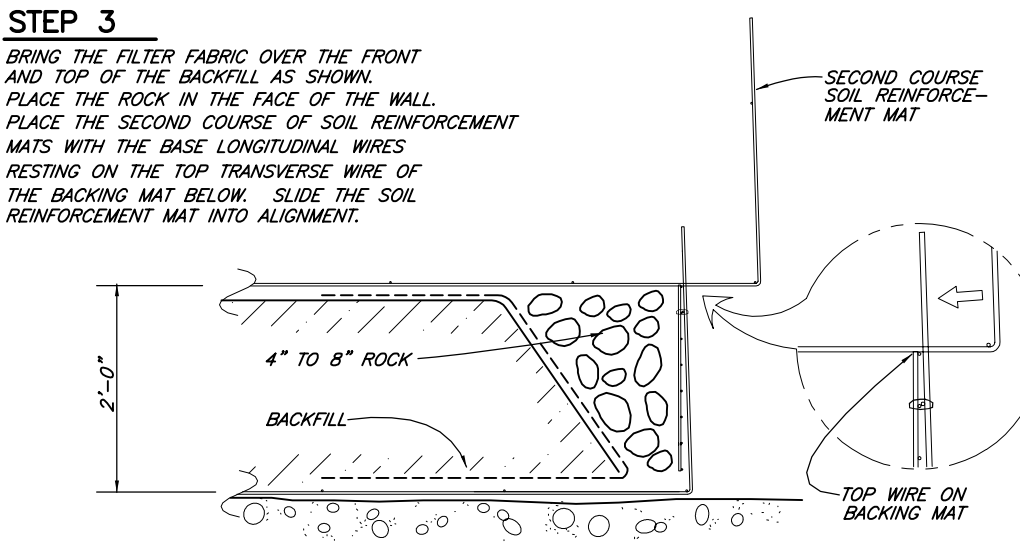
STEP 2

PLACE THE BACKING MAT AGAINST THE INSIDE FACE OF THE SOIL REINFORCEMENT MAT. CLIP THE SECOND-TO-TOP TRANSVERSE WIRE ON THE BACKING MAT TO THE TOP TRANSVERSE WIRE ON THE SOIL REINFORCEMENT MAT



STEP 3

BRING THE FILTER FABRIC OVER THE FRONT AND TOP OF THE BACKFILL AS SHOWN. PLACE THE ROCK IN THE FACE OF THE WALL. PLACE THE SECOND COURSE OF SOIL REINFORCEMENT MATS WITH THE BASE LONGITUDINAL WIRES RESTING ON THE TOP TRANSVERSE WIRE OF THE BACKING MAT BELOW. SLIDE THE SOIL REINFORCEMENT MAT INTO ALIGNMENT.

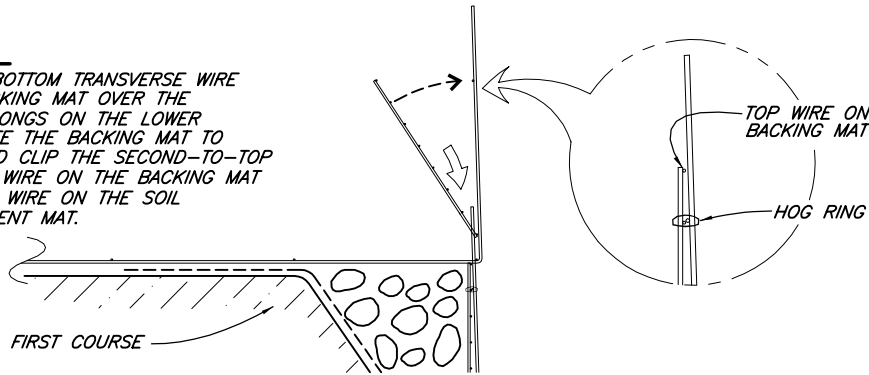


CONSTRUCTION SEQUENCE- ROCK FACE

NO SCALE

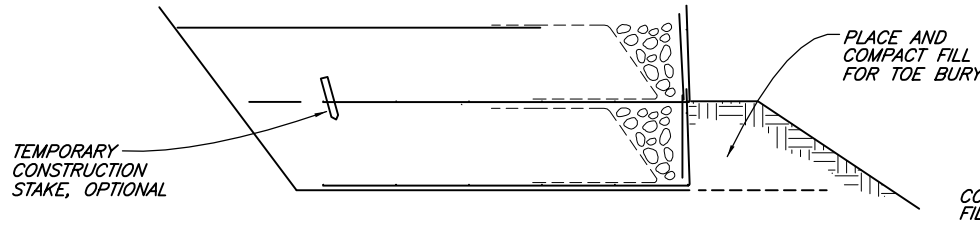
STEP 4

HOOK THE BOTTOM TRANSVERSE WIRE OF THE BACKING MAT OVER THE VERTICAL PRONGS ON THE LOWER MAT. ROTATE THE BACKING MAT TO VERTICAL AND CLIP THE SECOND-TO-TOP TRANSVERSE WIRE ON THE BACKING MAT TO THE TOP WIRE ON THE SOIL REINFORCEMENT MAT.



STEP 5

INSTALL THE FILTER FABRIC AS IN STEPS 2 AND 3. PLACE AND COMPACT THE BACKFILL AND ROCK TO THE BASE ELEVATION OF THE NEXT MAT. REPEAT STEPS 2 THRU 5 TO THE TOP LIFT.

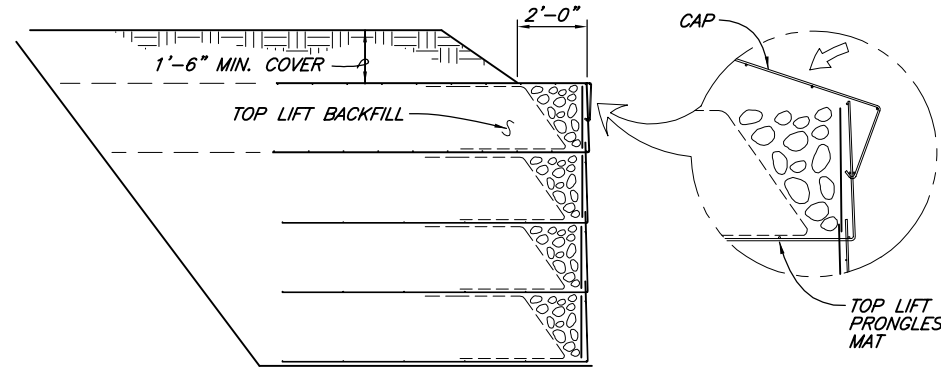


STEP 6: TOP LIFT

PLACE THE TOP LIFT PRONGLESS MAT, BACKING MAT AND FILTER FABRIC.

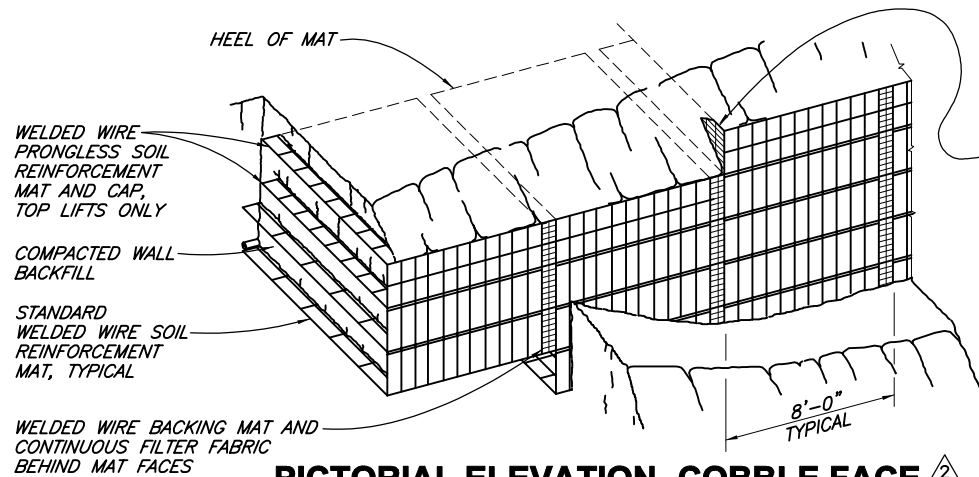
PLACE AND COMPACT BACKFILL AND ROCK IN THE TOP LIFT.

HOOK THE CAP OVER THE MIDDLE TRANSVERSE WIRE ON THE PRONGLESS MAT, AND ROTATE INTO PLACE. PLACE AND COMPACT COVER OVER TOP MAT TO 1'-6" MINIMUM DEPTH.



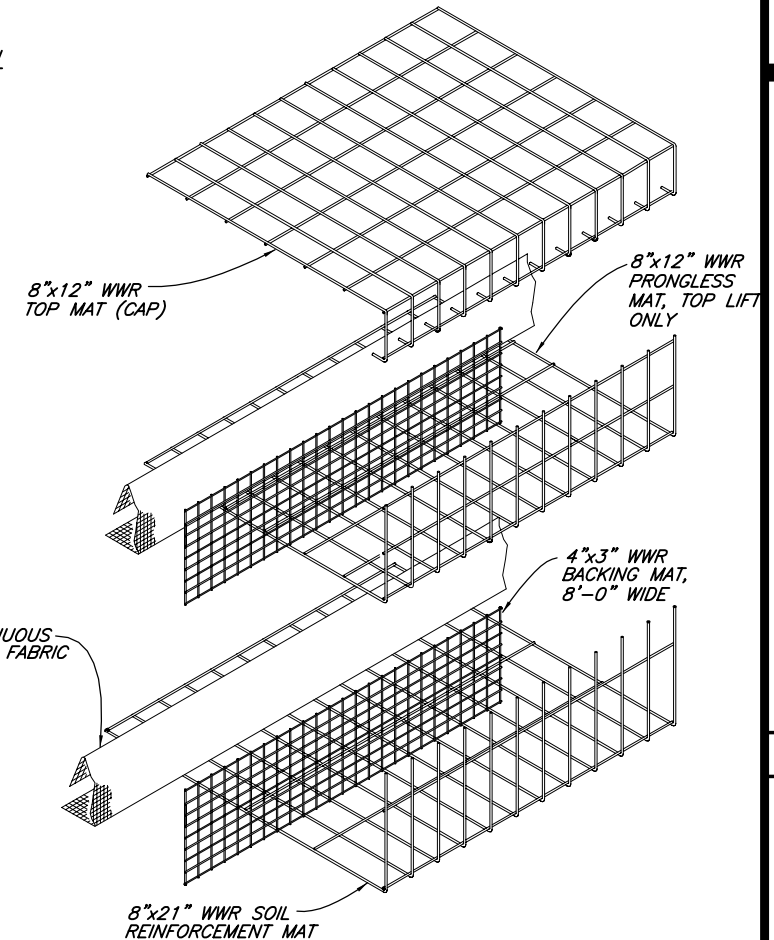
CONSTRUCTION SEQUENCE- ROCK FACE

NO SCALE



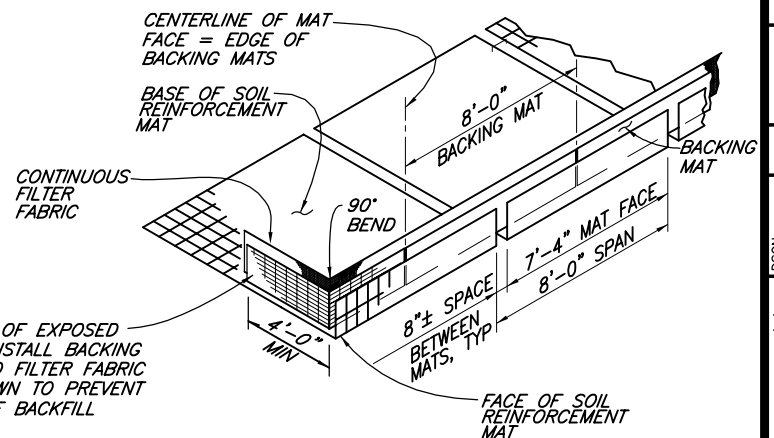
PICTORIAL ELEVATION- COBBLE FACE

NO SCALE



WALL COMPONENTS

NO SCALE



ASSEMBLED WALL COMPONENTS

NO SCALE



**WELDED WIRE WALL
HILFIKER RETAINING WALLS**



1902
EST. 1902
1902
QUALITY PRODUCTS

1902 Hilfiker Lane
Eureka, CA 95503-5711
TOLL-FREE 800.762.8962
PH 707.443.5093 FAX 707.443.2891
WEB SITE www.hilfiker.com E-MAIL info@hilfiker.com

VERIFY SCALES		BAR IS ONE INCH ON ORIGINAL DRAWING		IF NOT ONE INCH ON THIS SHEET, ADJUST SCALES ACCORDINGLY	
CONSULTING ENGINEERS & GEOLOGISTS, INC.		WWW.SHN-ENGR.COM		707-441-8855	
812 W. WABASH EUREKA, CA 95501		K/JM		BY	
REVISION		DATE		REVIEW COMMENTS	
NO.		DATE		04/10/15	
DSGN	K/JM	DR	MMD	CHK	K/JM
APVD					
FHWA-WFL (PROJ. NO. WA PH-29-1(1))					
MIDDLE FORK SNOQUALMIE RIVER ROAD					
NORTH BEND, KING COUNTY, WASHINGTON					
WALL COMPONENTS AND CONSTRUCTION SEQUENCE					
SHEET					
5 OF 5					
DATE 3/25/15					
PROJ. NO. 014205					