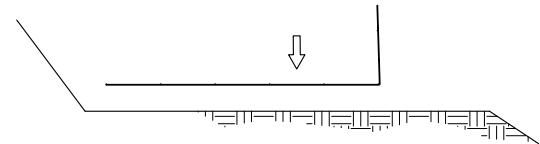


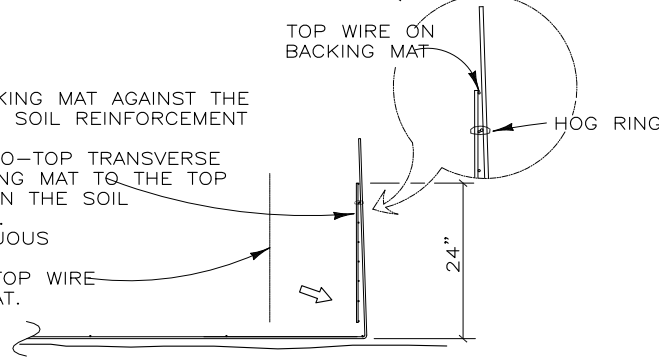
**FOUNDATION**

1. PLACE THE FIRST COURSE OF SOIL REINFORCEMENT MATS ON PREPARED FOUNDATION.



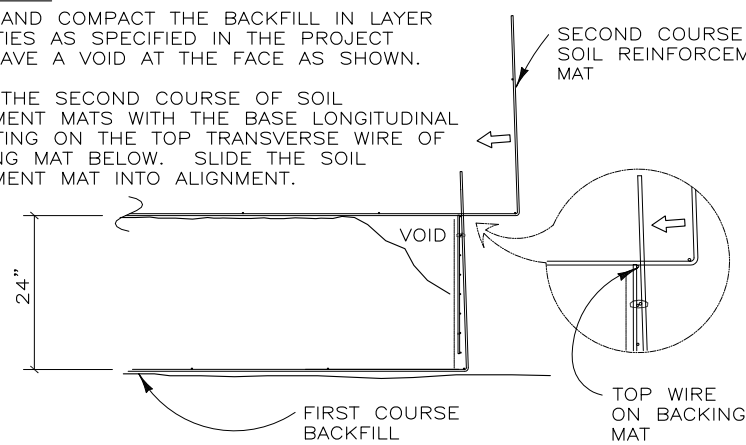
**BOTTOM MAT**

1. PLACE THE BACKING MAT AGAINST THE INSIDE FACE OF THE SOIL REINFORCEMENT MAT. CLIP THE SECOND-TO-TOP TRANSVERSE WIRE ON THE BACKING MAT TO THE TOP TRANSVERSE WIRE ON THE SOIL REINFORCEMENT MAT.
2. INSTALL CONTINUOUS FILTER FABRIC AND HOG-RING TO THE TOP WIRE ON THE BACKING MAT.



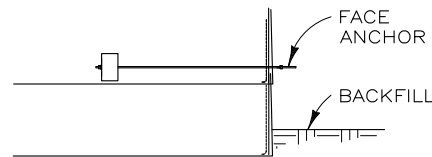
**SECOND LIFT**

1. PLACE AND COMPACT THE BACKFILL IN LAYER AND DENSITIES AS SPECIFIED IN THE PROJECT PLANS. LEAVE A VOID AT THE FACE AS SHOWN.
2. PLACE THE SECOND COURSE OF SOIL REINFORCEMENT MATS WITH THE BASE LONGITUDINAL WIRES RESTING ON THE TOP TRANSVERSE WIRE OF THE BACKING MAT BELOW. SLIDE THE SOIL REINFORCEMENT MAT INTO ALIGNMENT.



**SECOND LEVEL CONT'D**

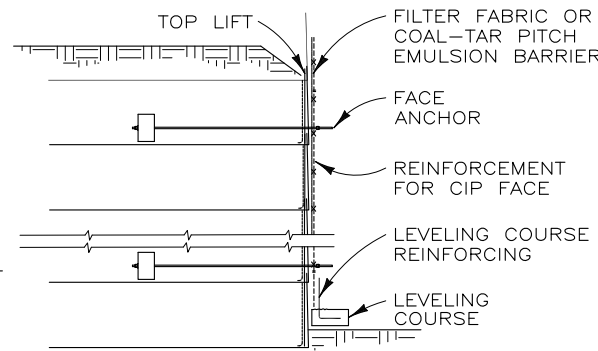
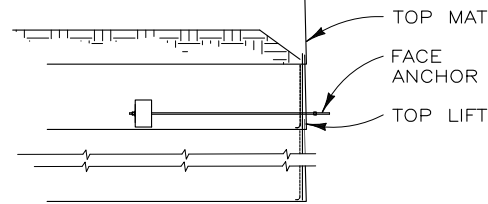
1. PUT AN 8" LAYER OF FILL IN THE BOTTOM OF LIFT AND COMPACT ACCORDING TO PLANS.
2. INSTALL THE FACE ANCHORS TO THE SPACING SHOWN IN THE PROJECT PLANS.
3. CAREFULLY BACKFILL AND COMPACT SECOND 8" LAYER OF FILL AROUND FACE ANCHORS BEING CAREFUL NOT TO BREAK OR BEND THE ANCHOR ROD.
4. BACKFILL TOE OF WALL TO ELEVATION OF BOTTOM OF LEVELING COURSE.
4. FINISH FILLING AND COMPACTING SECOND LEVEL AS REQUIRED. CONTINUE ADDING COURSES UNTIL THE TOP LIFT.



**CONSTRUCTION SEQUENCE**  
NOT TO SCALE

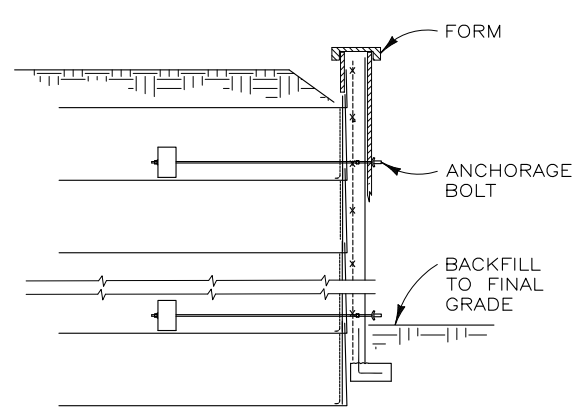
**TOP LIFT**

1. INSTALL THE FACE ANCHORS TO THE SPACING SHOWN IN THE PROJECT PLANS.
2. INSTALL TOP MAT. THERE IS NO BACKING MAT INSIDE THE FACE OF THE TOP LIFT.
3. BACKFILL TO ANCHOR THE TOP MAT.
4. BACKFILL TOE OF WALL TO ELEVATION OF BOTTOM OF LEVELING COURSE.



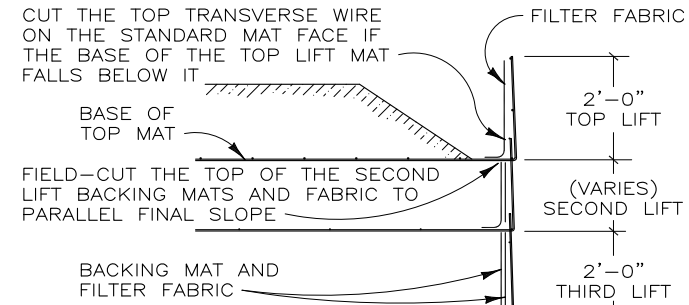
**LEVELING COURSE, REINFORCING**

1. INSTALL FILTER FABRIC OR COAL-TAR PITCH EMULSION BARRIER.
2. POUR LEVELING COURSE TO ELEVATION SHOWN IN THE PROJECT PLANS.
3. INSTALL REINFORCING FOR CAST-IN-PLACE FACE.

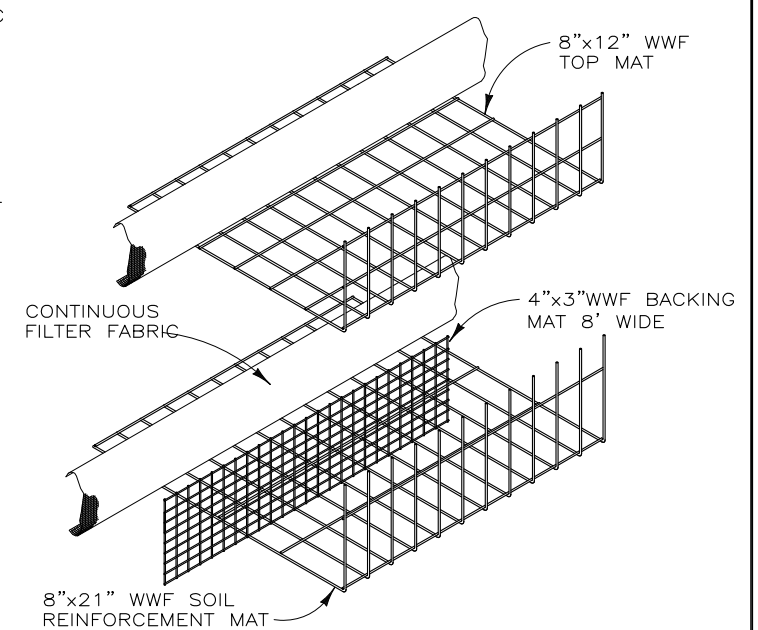


**CASTING THE FACE**

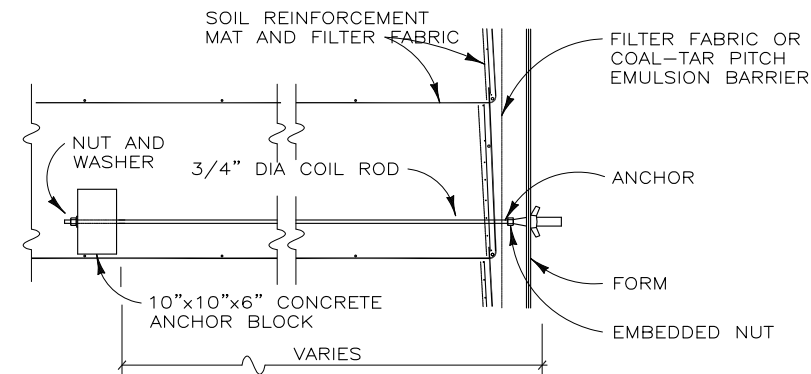
1. ATTACH THE FORMS TO THE FACE ANCHOR BOLTS.
2. CAST CONCRETE AS SHOWN IN PROJECT PLANS.
3. STRIP FORMS AND BACKFILL AT TOE TO FINAL GRADE.
4. FINISH TOP OF WALL PER PROJECT PLANS.



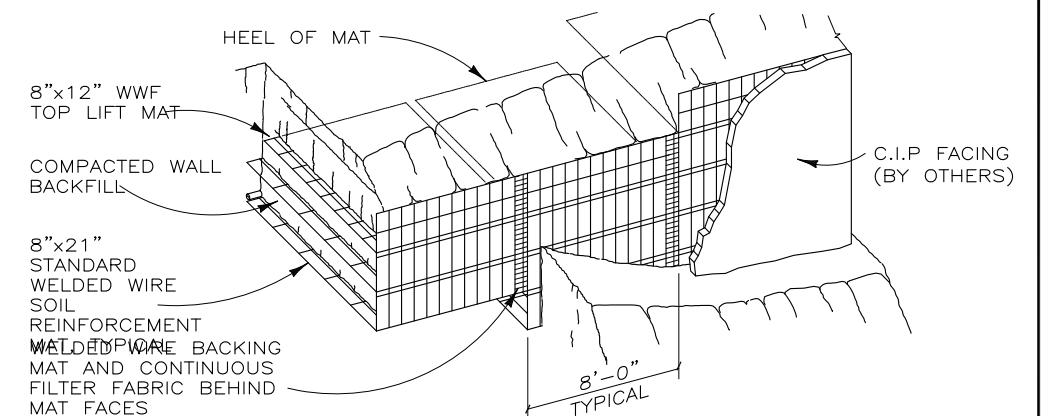
**ERS TOP LIFT SECTION**  
NOT TO SCALE



**WALL COMPONENTS**  
NOT TO SCALE



**FACE ANCHOR DETAIL**  
NOT TO SCALE

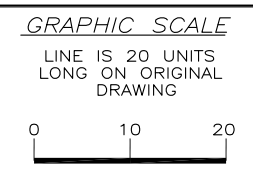


**PICTORIAL ELEVATION**  
NOT TO SCALE

ERS CIP 8x21 STANDARD DETAILS

THIS DRAWING IS FURNISHED SOLELY FOR THE USE OF OR IN CONNECTION WITH THIS PROJECT AND THE PROPRIETARY INFORMATION SHOWN HEREON IS NOT TO BE TRANSMITTED TO ANY OTHER ORGANIZATION WITHOUT SPECIFIC AUTHORIZATION BY THE HILFIKER COMPANY. HILFIKER RETAINING WALLS ARE PROTECTED BY ONE OR MORE OF THE FOLLOWING PATENTS: 243,613; 243,697; 288,616; 4,117,686; 4,329,089; 4,324,508; 4,391,557; 4,505,621; 4,343,318; 4,661,023; 4,856,939; 4,929,125; 5,076,735; 5,647,695; 5,722,799; 5,733,072; 6,357,970B1; 6,874,975B2; 7,033,118B2; AND OTHERS. OTHER PATENTS PENDING (2008)

REV.NO.	DATE	BY	DESCRIPTION
1	4/15/02	DR	REVISED BORDER
2	10/25/06	KJ	REV. COIL ROD
3	20 OCT 08	AMJ	UPDATED BORDER, MINOR REVISIONS



PROJ.MGR.  
ENGINEER  
CADD BY  
HRW

**HILFIKER RETAINING WALLS**

1902 Hilfiker Lane  
Eureka, CA 95503-5711  
TOLL-FREE 800.762.8962  
PH 707.443.5093 FAX 707.443.2891  
WEBSITE www.hilfiker.com E-MAIL info@hilfiker.com

DWG DATE  
31 AUG 00  
REVISION DATE  
20 OCT 08  
SCALE  
NOTED

**STANDARD DRAWING**  
**EUREKA REINFORCED SOIL EMBANKMENT**  
WITH C.I.P. FACE  
DETAILS

PROJECT NO.  
SHEET  
**1**  
OF 1